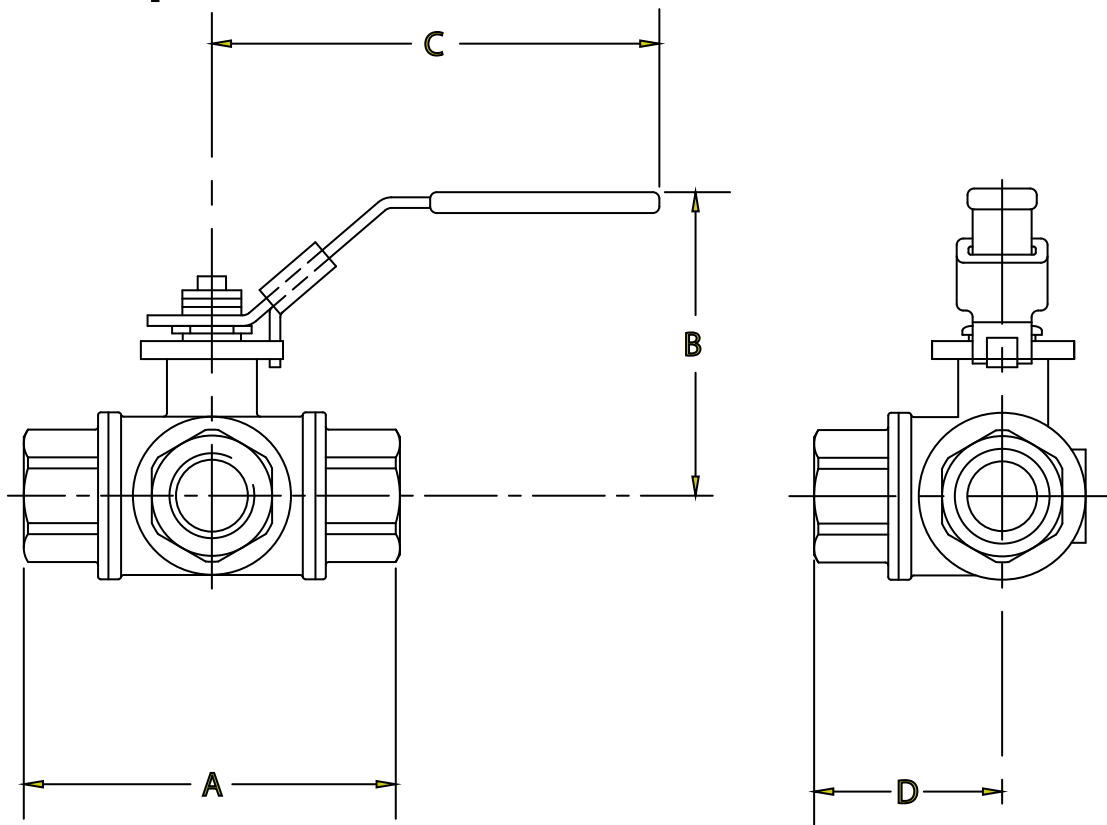


**TOL. UNLESS OTHERWISE NOTED (IN.)**

VA. END-TO-END LENGTH: ± 1/16"  
 OTHER VA. DIM.: ≤NPS 2", ± 1/8"  
 NPS 2 1/2"~4", ± 1/4"; >4", ± 1/2"  
 VA.-ACT. ASSY & PIPING DIM.: ± 1/2"



SIZE	DIMENSIONS IN INCHES			
	A	B	C	D
1/4"-3/8"	2.68	2.28	4.17	1.34
1/2"	2.95	2.40	5.43	1.48
3/4"	3.39	2.91	5.43	1.69
1"	4.06	3.19	6.38	2.15
1 1/4"	4.53	3.46	6.38	2.26
1 1/2"	4.92	4.09	8.66	2.46
2"	5.75	4.33	8.66	2.87

CUSTOMER ORDER # \_\_\_\_\_  
 CUSTOMER \_\_\_\_\_  
 TAG No. \_\_\_\_\_  
 SIZE & MODEL # 1/4"-2" 3T-3700R/3L-3800R  
 RED. PORT W/HANDLE & FNPT ENDS \_\_\_\_\_  
 CERTIFIED \_\_\_\_\_ DATE \_\_\_\_\_

**MARWINVALVE**  
 a division of Richards Industries  
 CINCINNATI, OHIO U.S.A  
 www.marwinvalve.com

DR. BY	DW	02/15/11	<b>MD3W3001</b>
CHK.BY			