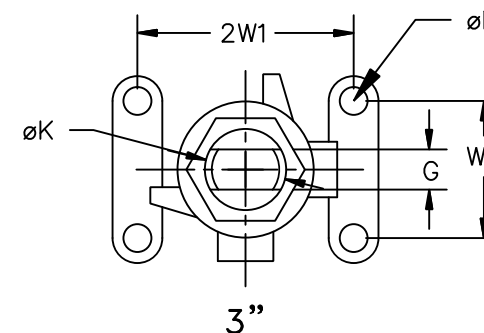
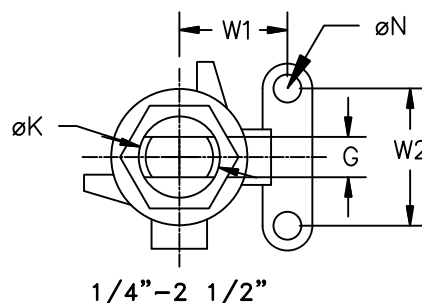
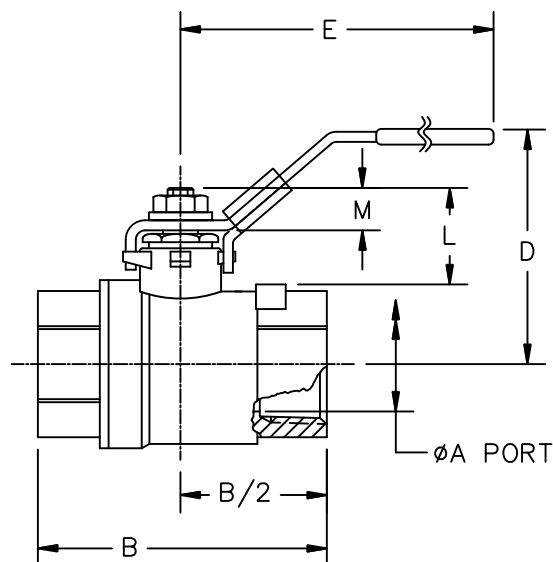


MD09014

NO	DESCRIPTION	DATE	BY
A	MEC 11014	02/21/11	DW
B	ADDED DIMS IN MM	05/12/16	DW



VALVE SIZE	DIMENSIONS (INCHES)											WEIGHT lb
	øA	B	D	E	W1	W2	øN	G	øK	L	M	
1/4"	0.45	2.14	1.9	3.8	0.50	1.10	M5 (A)	0.158	0.31-24UNF	0.84	0.40	0.50
3/8"	0.49	2.14	1.9	3.8	0.50	1.10	M5 (A)	0.197	0.31-24UNF	0.84	0.40	0.50
1/2"	0.59	2.57	2.3	4.8	0.50	1.10	M5 (A)	0.197	0.38-16UNC	1.10	0.51	0.90
3/4"	0.79	3.05	2.5	4.8	0.88	1.38	M5 (A)	0.197	0.38-16UNC	1.08	0.51	1.30
1"	0.99	3.49	2.7	5.7	0.88	1.38	M5 (A)	0.315	M12 X 1.75	1.35	0.67	2.30
1 1/4"	1.26	4.03	3.1	5.7	1.00	1.50	M6 (A)	0.315	M12 X 1.75	1.37	0.67	2.90
1 1/2"	1.50	4.29	3.5	7.4	1.00	1.50	M6 (A)	0.394	M16 X 2.0	1.56	0.83	4.40
2"	1.97	4.94	3.9	7.4	1.00	1.50	M6 (A)	0.394	M16 X 2.0	1.39	0.83	6.90
2 1/2"	2.56	6.49	5.2	10.0	1.38	2.17	M6 (A)	0.394	M16 X 2.0	1.84	0.83	15.2
3"	3.15	7.46	5.8	10.3	1.38	2.17	M6 (A)	0.472	0.75-10UNC	1.97	1.04	20.2

VALVE SIZE	DIMENSIONS (mm) (B)											WEIGHT KG
	øA	B	D	E	W1	W2	øN	G	øK	L	M	
1/4"	10.2	54.4	49	97	12.7	27.9	M5 (A)	4.0	0.31-24UNF	21.3	10.1	0.23
3/8"	12.4	54.4	49	97	12.7	27.9	M5 (A)	5.0	0.31-24UNF	21.3	10.1	0.23
1/2"	15.0	65.3	59	122	12.7	27.9	M5 (A)	5.0	0.38-16UNC	27.9	13.0	0.41
3/4"	20.0	77.5	64	122	22.4	35.1	M5 (A)	5.0	0.38-16UNC	27.4	13.0	0.59
1"	25.1	88.6	69	145	22.4	35.1	M5 (A)	8.0	M12 X 1.75	34.3	17.0	1.05
1 1/4"	32.0	102.1	79	145	25.4	38.1	M6 (A)	8.0	M12 X 1.75	34.8	17.0	1.32
1 1/2"	38.1	109.0	89	188	25.4	38.1	M6 (A)	10.0	M16 X 2.0	39.6	21.1	2.0
2"	50.0	125.5	99	188	25.4	38.1	M6 (A)	10.0	M16 X 2.0	35.3	21.1	3.2
2 1/2"	65.0	164.9	132	254	35.1	55.1	M6 (A)	10.0	M16 X 2.0	46.7	21.1	6.9
3"	80.0	189.5	148	262	35.1	55.1	M6 (A)	12.0	0.75-10UNC	50.0	26.4	9.2

TOL. UNLESS OTHERWISE NOTED (IN.)
 VA. END-TO-END LENGTH: $\pm \frac{1}{16}$ "
 OTHER VA. DIM.: \leq NPS 2", $\pm \frac{1}{8}$ ";
 NPS 2 1/2"~4", $\pm \frac{1}{4}$ "; >4", $\pm \frac{1}{2}$ "
 VA.-ACT. ASSY & PIPING DIM.: $\pm \frac{1}{2}$ "

1/4" F-3" F 9000			MARWINVALVE a division of Richards Industries CINCINNATI, OHIO U.S.A. www.marwinvalve.com
DIMENSIONS WITH FNPT/FSW ENDS			
REF.	SCALE	-	DATE
	DR. BY	DW	07/17/06
	CHK. BY		

MD09014