

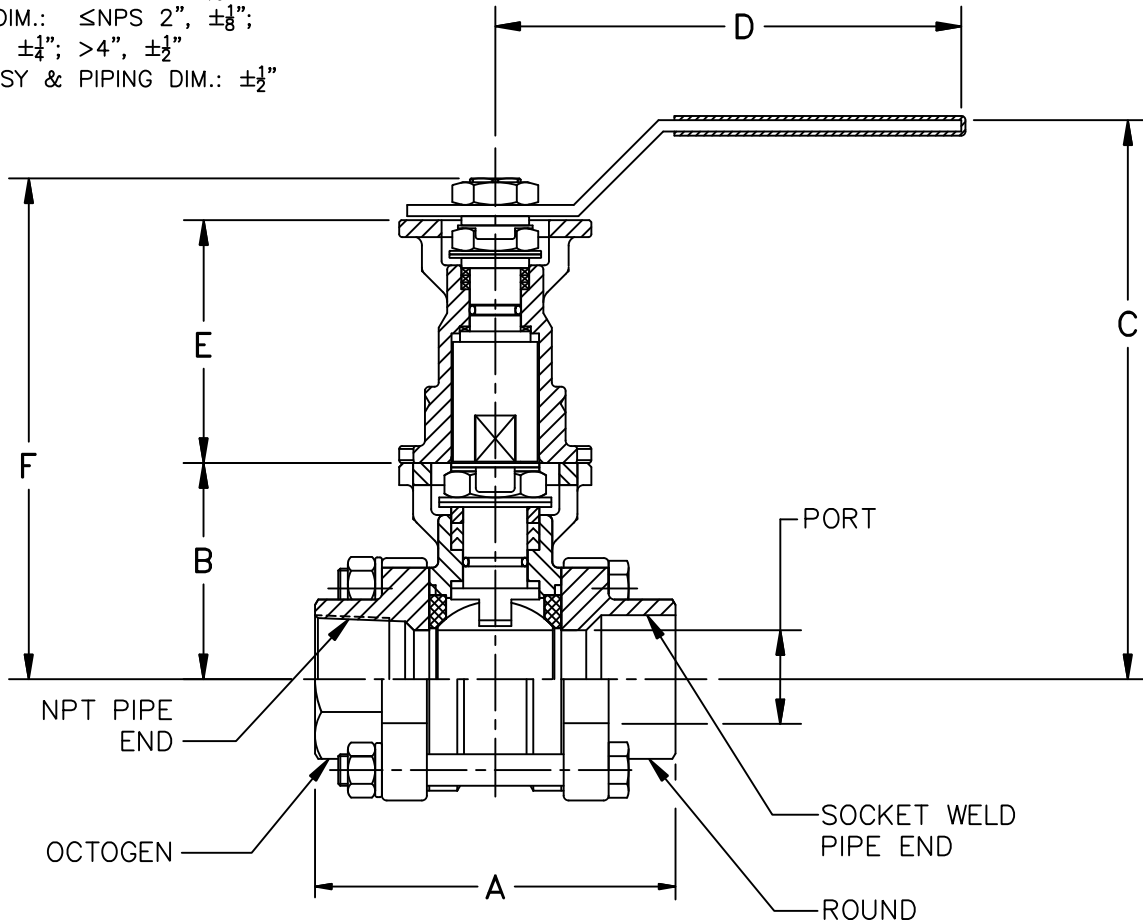
TOL. UNLESS OTHERWISE NOTED (IN.)

VA. END-TO-END LENGTH:  $\pm\frac{1}{16}$ "

OTHER VA. DIM.:  $\leq$ NPS 2",  $\pm\frac{1}{8}$ ";

NPS 2 $\frac{1}{2}$ "~4",  $\pm\frac{1}{4}$ "; >4",  $\pm\frac{1}{2}$ "

VA.-ACT. ASSY & PIPING DIM.:  $\pm\frac{1}{2}$ "



DIMENSIONS IN INCHES							
SIZE	PORT	A	B	C	D	E	F
1/2"	0.63	2.95	1.67	5.18	4.33	2.39	4.38
3/4"	0.79	3.15	1.76	5.28	4.33	2.39	4.47
1"	0.96	3.54	2.13	5.95	5.31	2.64	5.16
1 1/4"	1.26	4.33	2.33	6.16	5.31	2.64	5.42
1 1/2"	1.50	4.72	2.89	7.69	6.50	3.38	6.85
2"	1.97	5.51	3.26	8.06	6.50	3.38	7.22

CUSTOMER ORDER # \_\_\_\_\_

CUSTOMER \_\_\_\_\_

TAG No. \_\_\_\_\_

SIZE & MODEL # 1/2"-2" FULL PORT 8700F-A

W/ FNPT or FSW ENDS & ENCL. STEM EXT.

CERTIFIED \_\_\_\_\_ DATE \_\_\_\_\_



**MARWIN**  
Ball Valves

RICHARDS INDUSTRIES  
3170 Wasson Rd.  
Cincinnati, Ohio 45209  
Telephone (513) 533-5600  
Fax (513) 533-7343

DR. BY JJH 4/2/13

CHK. BY \_\_\_\_\_

**MD08075**