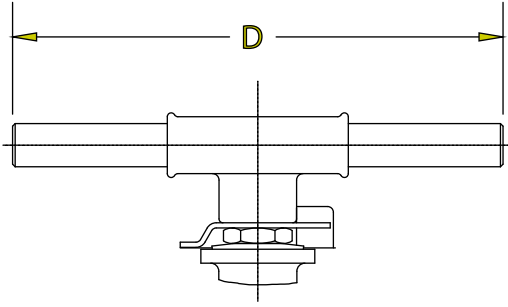


0.5"F-5"F 6801



6"F-8"F 6801

TOL. UNLESS OTHERWISE NOTED (IN.)
 VA. END-TO-END LENGTH: ± 1/16"
 OTHER VA. DIM.: ≤NPS 2", ± 1/8";
 NPS 2 1/2"~4", ± 1/4"; >4", ± 1/2"
 VA.-ACT. ASSY & PIPING DIM.: ± 1/2"

SIZE	DIMENSIONS IN INCHES						WT. (LBS.)
	A	B	C	D	E	F	
1/2"	5.50	2.16	3.27	5.31	2.54	1.52	4.8
3/4"	6.00	2.28	3.29	5.31	2.92	1.52	7.5
1"	6.50	2.87	3.74	6.30	3.05	1.80	9.9
1 1/2"	7.50	3.71	4.79	9.06	3.70	2.40	19.6
2"	8.50	4.23	5.31	9.06	4.05	2.92	26.1
3"	11.12	5.81	6.13	13.78	5.04	4.06	58.5
4"	12.00	6.81	7.19	15.75	5.72	5.00	95.0
5"	15.00	7.80	8.12	15.75	7.50	5.91	143.6
6"	15.88	9.65	10.49	31.50	7.66	7.17	172.0
8"	19.75	12.20	13.23	43.30	9.55	9.19	390.0

CUSTOMER ORDER # _____
 CUSTOMER _____
 TAG No. _____
 SIZE & MODEL # 1/2"-8" FULL PORT SER. 6801F
W/300# F.E.
 CERTIFIED _____ DATE _____

MARWIN
Ball Valves

RICHARDS INDUSTRIES
 3170 Wasson Rd.
 Cincinnati, Ohio 45209
 Telephone (513) 533-5600
 Fax (513) 533-7343

DR. BY	DW	08/18/09	MD06046
CHK. BY			