

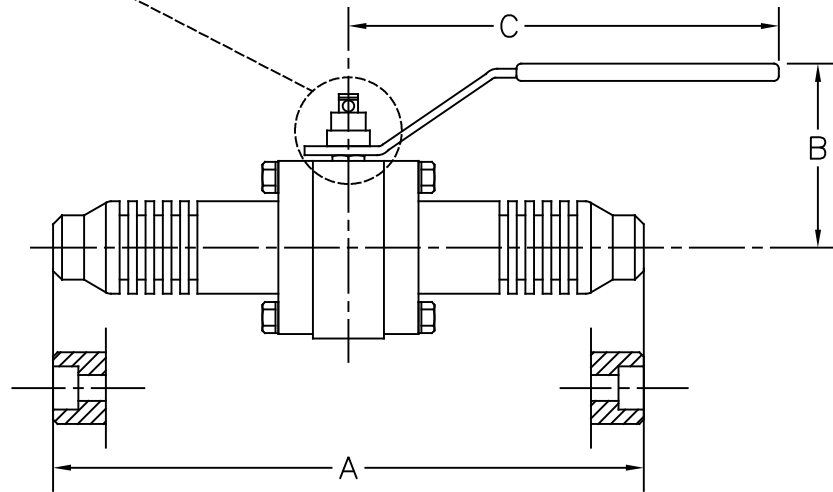
TOL. UNLESS OTHERWISE NOTED (IN.)

VA. END-TO-END LENGTH: $\pm \frac{1}{16}$ "

OTHER VA. DIM.: \leq NPS 2", $\pm \frac{1}{8}$ ";

NPS 2 1/2"~4", $\pm \frac{1}{4}$ "; >4", $\pm \frac{1}{2}$ "

VA.-ACT. ASSY & PIPING DIM.: $\pm \frac{1}{2}$ "



SIZE	DIMENSIONS IN INCHES		
Full	A	B	C
1/4"	5.50	2.64	5.4 (A)
3/8"	5.50	2.64	5.4 (A)
1/2"	5.50	2.76	5.4 (A)
3/4"	6.00	3.15	7.6
1"	6.50	3.62	7.6
1 1/4"	7.00	4.25	8.9
1 1/2"	7.50	4.45	8.9
2"	8.50	4.65	8.9
2 1/2"	9.50	5.35	13.8
3"	11.12	5.91	19.7

CUSTOMER ORDER # _____
 CUSTOMER _____
 TAG No. _____
 SIZE & MODEL # 1/4"-3" 3000 SERIES FULL
 PORT WITH EXT. BWE/FSW AND LOCKING DEVICE
 CERTIFIED _____ DATE _____



a division of Richards Industries

CINCINNATI, OHIO

U.S.A

www.marwinvalve.com

DR. BY JLW 10/27/03
 CHK.BY

MD03125