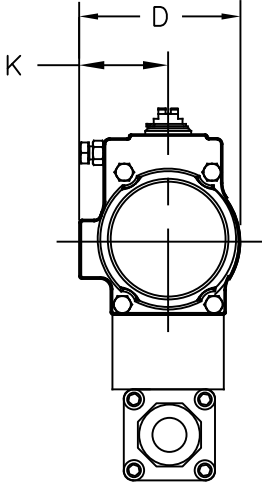
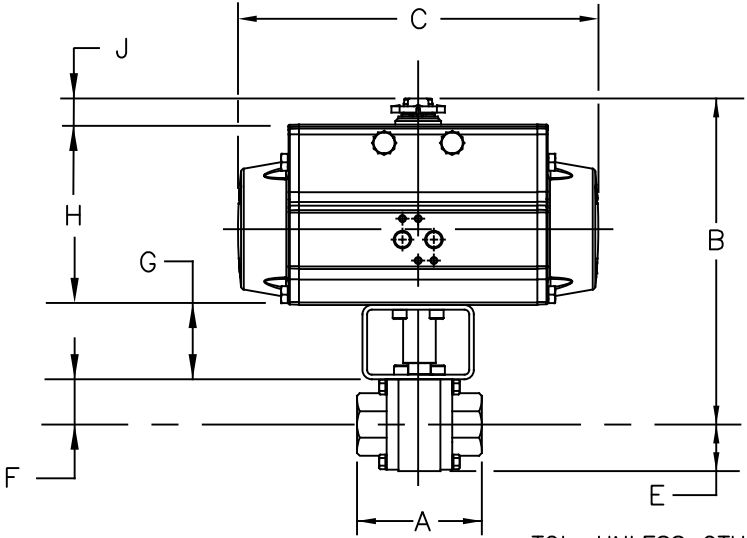


-	REVISED A DIM'S	10/25/10	DW
A	WAS DSGN 2003	04/21/17	DW




TOL. UNLESS OTHERWISE NOTED (IN.)
 VA. END-TO-END LENGTH: $\pm\frac{1}{16}$ " VA.-ACT. ASSY & PIPING DIM.: $\pm\frac{1}{2}$ "
 OTHER VA. DIM.: \leq NPS 2", $\pm\frac{1}{8}$ "; NPS 2 $\frac{1}{2}$ "~4", $\pm\frac{1}{4}$ "; >NPS 4", $\pm\frac{1}{2}$ "

SIZE	ACTUATOR	DIMENSIONS (INCHES)										WT (LBS)
		A	B	C	D	E	F	G	H	J	K	
1/4", 3/8"F	UT-0-DA	2.95	7.2	5.5	2.8	1.00	1.24	2.00	3.21	0.79	1.6	9.6
	UT-1-SR		7.7	6.5	3.2				3.66	0.79	1.8	
1/2"F	UT-0-DA	3.20	7.3	5.5	2.8	1.05	1.31	2.00	3.21	0.79	1.6	10.6
	UT-1-SR		7.8	6.5	3.2				3.66	0.79	1.8	
3/4"F	UT-0-DA	3.90	7.6	5.5	2.8	1.30	1.55	2.00	3.21	0.79	1.6	12.5
	UT-2-SR		8.7	8.3	3.7				4.37	0.79	2.1	
1"F	UT-1-DA	4.40	7.9	6.5	3.2	1.45	1.45	2.00	3.66	0.79	1.8	15.3
	UT-2.5-SR		9.2	9.5	4.2				4.92	0.79	2.3	
1 1/4"F	UT-2-DA	4.70	8.8	8.3	3.7	1.68	1.68	2.00	4.37	0.79	2.1	19.9
	UT-3-SR		9.9	10.8	4.8				5.43	0.79	2.7	
1 1/2"F	UT-2-DA	5.50	9.0	8.3	3.7	1.83	1.83	2.00	4.37	0.79	2.1	23.9
	UT-3.5-SR		11.4	13.1	5.4				6.39	1.18	2.9	
2"F	UT-3.5-DA	5.60	11.9	13.1	5.4	2.62	2.30	2.00	6.39	1.18	2.9	46.1
	UT-5-SR		14.2	19.7	7.3				8.70	1.18	3.9	
2 1/2"F	UT-4.5-DA	9.00	13.6	17.1	6.5	2.95	2.70	2.00	7.76	1.18	3.5	64.3
	UT-6-SR		16.8	22.8	8.5				10.94	1.18	4.3	
3"F	UT-4.5-DA	8.80	14.4	17.1	6.5	3.69	3.44	2.00	7.76	1.18	3.5	77.5
	UT-6-SR		17.6	22.8	8.5				10.94	1.18	4.3	

ACTUATOR SIZE BASED ON RPTFE SEAT, FULL DIFFERENTIAL PRESSURE (1500 PSI FOR 1/4"F-1 1/2"F, 1000 PSI FOR 2"F-3"F), 1.2 SERVICE FACTOR, 80 PSI ACTUATOR AIR SUPPLY. ACTUATOR SIZE VARIES WITH SEAT MATERIAL, DIFFERENTIAL PRESSURE, AND SERVICE FACTOR.

CUSTOMER ORDER # _____
 CUSTOMER _____
 TAG No. _____
 SIZE & MODEL # 1/4"-3" FULL PORT SER. 3000F
 W/UT DSGN 2011 ACT, @80PSI AIR SUPPLY
 CERTIFIED (A) DATE _____



MARWINVALVE

a division of Richards Industries
 CINCINNATI, OHIO U.S.A.
www.marwinvalve.com

DR. BY	DW	06/01/04	MD03102
CHK. BY			