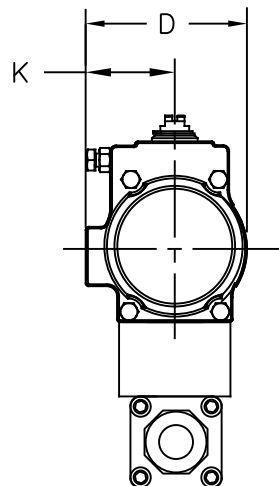
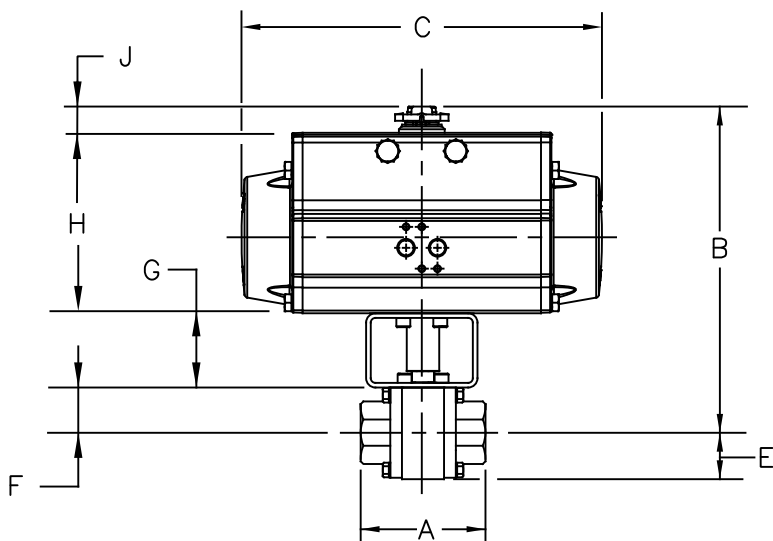


-	REVISED A DIM'S	10/20/10	DW
A	WAS DSGN 2003	01/09/17	DW



TOL. UNLESS OTHERWISE NOTED (IN.)

VA. END-TO-END LENGTH:  $\pm \frac{1}{16}$ " VA.-ACT. ASSY & PIPING DIM.:  $\pm \frac{1}{2}$ "  
 OTHER VA. DIM.:  $\leq$ NPS 2",  $\pm \frac{1}{8}$ "; NPS 2 $\frac{1}{2}$ "~4",  $\pm \frac{1}{4}$ "; >NPS 4",  $\pm \frac{1}{2}$ "

SIZE	ACTUATOR	DIMENSIONS (INCHES)										WT (LBS)
		A	B	C	D	E	F	G	H	J	K	
1/2"R	UT-0-DA	2.95	7.3	5.5	2.8	1.00	1.24	2.00	3.21	0.79	1.6	9.6
	UT-1-SR		7.7	6.5	3.2				3.66	0.79	1.8	
3/4"R	UT-0-DA	3.20	7.4	5.5	2.8	1.05	1.31	2.00	3.21	0.79	1.6	10.6
	UT-1-SR		7.8	6.5	3.2				3.66	0.79	1.8	
1"R	UT-0-DA	3.90	7.6	5.5	2.8	1.30	1.55	2.00	3.21	0.79	1.6	12.5
	UT-2-SR		8.8	8.3	3.7				4.37	0.79	2.1	
1 1/4"R	UT-1-DA	4.40	7.9	6.5	3.2	1.45	1.45	2.00	3.66	0.79	1.8	15.3
	UT-2.5-SR		9.2	9.5	4.2				4.92	0.79	2.3	
1 1/2"R	UT-1-DA	4.70	8.2	6.5	3.2	1.68	1.68	2.00	3.66	0.79	1.8	17.5
	UT-2.5-SR		9.4	9.5	4.2				4.92	0.79	2.3	
2"R	UT-1-DA	5.50	8.3	6.5	3.2	1.83	1.83	2.00	3.66	0.79	1.8	21.5
	UT-2.5-SR		9.6	9.5	4.2				4.92	0.79	2.3	
2 1/2"R	UT-2-DA	5.60	9.5	8.3	3.7	2.62	2.30	2.00	4.37	0.79	2.1	32.7
	UT-3.5-SR		11.9	13.1	5.4				6.39	1.18	2.9	
3"R	UT-3.5-DA	9.00	12.3	13.1	5.4	2.95	2.70	2.00	6.39	1.18	2.9	47.9
	UT-5-SR		14.6	19.7	7.3				8.70	1.18	3.9	
4"R	UT-3.5-DA	8.80	13.1	13.1	5.4	3.69	3.44	2.00	6.39	1.18	2.9	61.1
	UT-5-SR		15.4	19.7	7.3				8.70	1.18	3.9	

ACTUATOR SIZE BASED ON PTFE SEAT, FULL DIFFERENTIAL PRESSURE (1000 PSI FOR 1/2"R-2"R, 700 PSI FOR 2 1/2"R-4"R), 1.2 SERVICE FACTOR, 80 PSI ACTUATOR AIR SUPPLY. ACTUATOR SIZE VARIES WITH SEAT MATERIAL, DIFFERENTIAL PRESSURE, AND SERVICE FACTOR.

CUSTOMER ORDER # \_\_\_\_\_  
 CUSTOMER \_\_\_\_\_  
 TAG No. \_\_\_\_\_  
 SIZE & MODEL # 1/2"-4" RED. PORT SER. 3000R  
 W/UT DSGN 2011 ACT. @80PSI AIR SUPPLY  
 CERTIFIED          (A) \_\_\_\_\_ DATE \_\_\_\_\_



a division of Richards Industries  
 CINCINNATI, OHIO U.S.A

www.marwinvalve.com

DR. BY	DW	06/01/04
CHK. BY		

MD03099