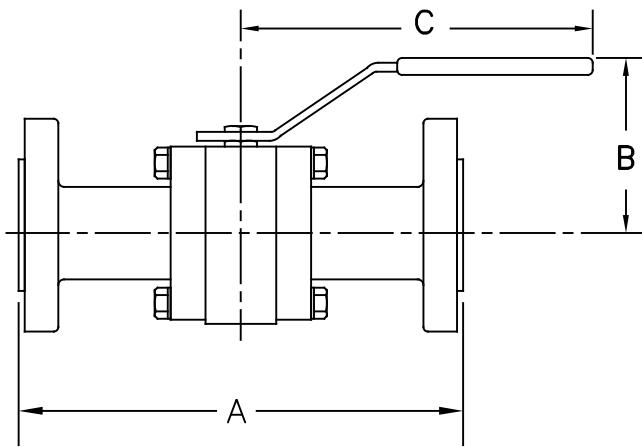


A	MEC 09065	10/20/09	DW
B	WAS 8.86	10/06/11	DW
C	WAS 5.98	07/23/18	DW

NOTE: FACE-TO-FACE
DIMENSION "A" COMPLIES WITH
ASME B16.10 EXCEPT CLASS 150
IS SAME AS CLASS 300.



TOL. UNLESS OTHERWISE NOTED (IN.)
VA. END-TO-END LENGTH: $\pm \frac{1}{16}$ "
OTHER VA. DIM.: \leq NPS 2", $\pm \frac{1}{8}$ ";
NPS $2\frac{1}{2}$ "~4", $\pm \frac{1}{4}$ "; >4", $\pm \frac{1}{2}$ "
VA.-ACT. ASSY & PIPING DIM.: $\pm \frac{1}{2}$ "

SIZE	DIMENSIONS IN INCHES			
	FLANGE	A	B	C
1/2"F	150#	5.50	2.76	5.4 (C)
	300#	5.50	2.76	5.4 (C)
	600#	6.50	2.76	5.4 (C)
	900#	8.50	2.76	5.4 (C)
3/4"F	150#	6.00	3.15	7.6
	300#	6.00	3.15	7.6
	600#	7.50	3.15	7.6
	900#	9.00	3.15	7.6
1"F	150#	6.50	3.62	7.6
	300#	6.50	3.62	7.6
	600#	8.50	3.62	7.6
	900#	10.00	3.62	7.6
1 1/4"F	150#	7.00	4.25	8.9
	300#	7.00	4.25	8.9
	600#	9.00	4.25	8.9
	900#	11.00	4.25	8.9
1 1/2"F	150#	7.50	4.45	8.9
	300#	7.50	4.45	8.9
	600#	9.50	4.45	8.9
	900#	12.00	4.45	8.9
2"F	150#	8.50	4.65	11.0 (B)
	300#	8.50	4.65	11.0 (B)
	600#	11.50	4.65	11.0 (B)
	900#	14.50	4.65	11.0 (B)
2 1/2"F	150#	*9.50	5.35	13.8
	300#	9.50	5.35	13.8
	600#	13.00	5.35	13.8
3"F	150#	**11.12	5.91	19.7
	300#	11.12	5.91	19.7
	600#	14.00	5.91	19.7

(A) *2.5"F-150 WAS 9.00 PRIOR
TO NOV. 2009

(A) **3"F-150 WAS 8.00 PRIOR
TO NOV. 2009

CUSTOMER ORDER # _____

CUSTOMER _____

TAG No. _____

SIZE & MODEL # 1/2"-3" 3000/7000F FULL PORT
BALL VALVE, 150#, 300#, 600#, 900# F.E.

CERTIFIED _____ DATE _____

MARWINVALVE

a division of Richards Industries

CINCINNATI, OHIO

U.S.A

www.marwinvalve.com

DRAWN BY	DATE
JLW	1/20/06
CHECKED BY	DATE

MD03016