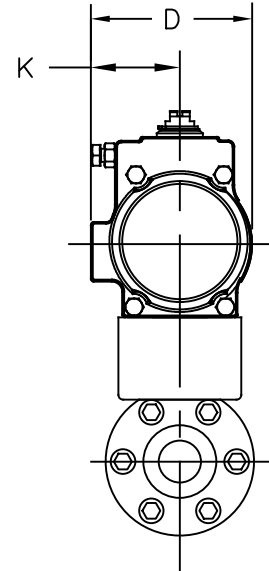
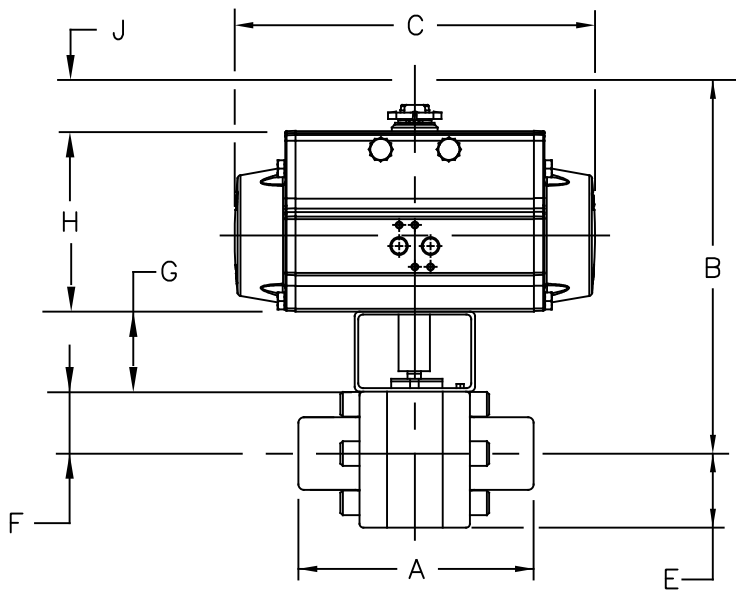


1/2"-2" 10000F W/UT-DA ACT.

REVISED 11/06/19 DW



SIZE	DIFF. PRESSURE (PSI)	ACTUATOR	DIMENSIONS (INCHES)										WT (LBS)
			A	B	C	D	E	F	G	H	J	K	
1/2"	0-3886	UT-0-DA	4.36	7.7	5.5	2.8	1.69	1.20	2.50	3.2	0.79	1.6	13.6
	3887-6000	UT-1-DA		8.2	6.5	3.2				3.7	0.79	1.8	14.8
3/4"	0-6000	UT-1-DA	5.54	8.1	6.5	3.2	1.93	1.61	2.00	3.7	0.79	1.8	19.5
1"	0-2543	UT-1-DA	5.54	8.3	6.5	3.2	2.17	1.81	2.00	3.7	0.79	1.8	25.5
	2544-4500	UT-2-DA		9.0	8.3	3.7				4.4	0.79	2.1	27.9
1 1/4"	0-2609	UT-1-DA	6.70	8.9	6.5	3.2	2.67	2.37	2.00	3.7	0.79	1.8	37.6
	2610-4500	UT-2-DA		9.6	8.3	3.7				4.4	0.79	2.1	39.9
1 1/2"	0-2609	UT-2-DA	6.70	9.6	8.3	3.7	2.67	2.37	2.00	4.4	0.79	2.1	39.9
	2610-4500	UT-2.5-DA		10.1	9.5	4.2				4.9	0.79	2.3	42.4
2"	0-649	UT-2-DA	7.87	9.8	8.3	3.7	2.95	2.58	2.00	4.4	0.79	2.1	49.4
	650-1911	UT-2.5-DA		10.3	9.5	4.2				4.9	0.79	2.3	51.4
	1912-4211	UT-3-DA		10.8	10.8	4.8				5.4	0.79	2.7	53.0
	4212-4500	UT-3.5-DA		12.2	13.1	5.4				6.4	1.18	2.9	60.4

ACTUATOR SIZE BASED ON DELRIN SEAT, LISTED DIFFERENTIAL PRESSURE, 1.2 SERVICE FACTOR, 80 PSI ACTUATOR AIR SUPPLY. ACTUATOR SIZE VARIES WITH SEAT MATERIAL, DIFFERENTIAL PRESSURE, AND SERVICE FACTOR.

TOL. UNLESS OTHERWISE NOTED (IN.)

VA. END-TO-END LENGTH: $\pm \frac{1}{16}$ " VA.-ACT. ASSY & PIPING DIM.: $\pm \frac{1}{2}$ "
 OTHER VA. DIM.: \leq NPS 2", $\pm \frac{1}{8}$ "; NPS 2 1/2"~4", $\pm \frac{1}{4}$ "; $>$ NPS 4", $\pm \frac{1}{2}$ "

CUSTOMER ORDER # _____

CUSTOMER _____

TAG No. _____

SIZE & MODEL # 1/2"-2"F SER. 10K, FNPT ENDS
 W/UT-DA (2011 DSGN) ACT, 80 PSI AIR SUPPLY

CERTIFIED _____ DATE _____



a division of Richards Industrials
 CINCINNATI, OHIO U.S.A

www.marwinvalve.com

DR. BY DW 03/21/17

CHK. BY _____

MD10026