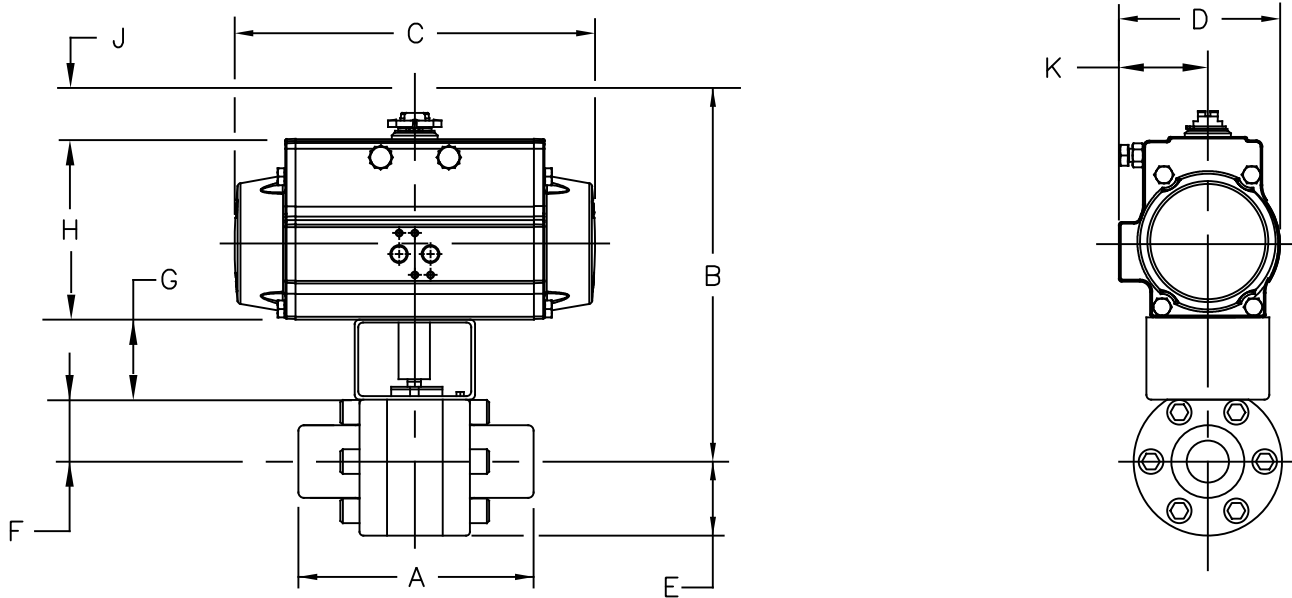


# 1/2"-2" 10000F W/UT-SR ACT.

REVISED

11/06/19 DW



SIZE	DIFF. PRESSURE (PSI)	ACTUATOR	DIMENSIONS (INCHES)									WT (LBS)	
			A	B	C	D	E	F	G	H	J		K
1/2"	0-2562	UT-2-SR	4.36	8.9	8.3	3.7	1.69	1.20	2.50	4.4	0.79	2.1	20.8
	2563-6000	UT-2.5-SR		9.4	9.5	4.2				4.9	0.79	2.3	23.3
3/4"	0-4104	UT-2.5-SR	5.54	9.3	9.5	4.2	1.93	1.61	2.00	4.9	0.79	2.3	26.2
	4105-6000	UT-3-SR		9.8	10.8	4.8				5.4	0.79	2.7	30.4
1"	0-546	UT-2.5-SR	5.54	9.5	9.5	4.2	2.17	1.81	2.00	4.9	0.79	2.3	29.3
	547-4500	UT-3-SR		10.0	10.8	4.8				5.4	0.79	2.7	34.3
1 1/4"	0-557	UT-3-SR	6.70	10.6	10.8	4.8	2.67	2.37	2.00	5.4	0.79	2.7	48.7
	558-3140	UT-3.5-SR		12.0	13.1	5.4				6.4	1.18	2.9	58.5
	3141-4500	UT-4-SR		12.5	14.7	5.8				6.9	1.18	3.2	64.3
1 1/2"	0-557	UT-3-SR	6.70	10.6	10.8	4.8	2.67	2.37	2.00	5.4	0.79	2.7	47.2
	558-3140	UT-3.5-SR		12.0	13.1	5.4				6.4	1.18	2.9	53.0
	3141-4500	UT-4-SR		12.5	14.7	5.8				6.9	1.18	3.2	58.8
2"	0-892	UT-3.5-SR	7.87	12.2	13.1	5.4	2.95	2.58	2.00	6.4	1.18	2.9	67.7
	893-1707	UT-4-SR		12.7	14.7	5.8				6.9	1.18	3.2	70.6
	1708-3254	UT-4.5-SR		13.6	17.1	6.5				7.8	1.18	3.4	87.0
	3255-4500	UT-5-SR		14.5	19.7	7.3				8.7	1.18	3.9	104.6

ACTUATOR SIZE BASED ON DELRIN SEAT, LISTED DIFFERENTIAL PRESSURE, 1.2 SERVICE FACTOR, 80 PSI ACTUATOR AIR SUPPLY. ACTUATOR SIZE VARIES WITH SEAT MATERIAL, DIFFERENTIAL PRESSURE, AND SERVICE FACTOR.

TOL. UNLESS OTHERWISE NOTED (IN.)

VA. END-TO-END LENGTH:  $\pm \frac{1}{16}$ " VA.-ACT. ASSY & PIPING DIM.:  $\pm \frac{1}{2}$ "  
 OTHER VA. DIM.:  $\leq$ NPS 2",  $\pm \frac{1}{8}$ "; NPS 2 1/2"~4",  $\pm \frac{1}{4}$ ";  $>$ NPS 4",  $\pm \frac{1}{2}$ "

CUSTOMER ORDER # \_\_\_\_\_

CUSTOMER \_\_\_\_\_

TAG No. \_\_\_\_\_

SIZE & MODEL # 1/2"-2"F SER. 10K, FNPT ENDS  
 W/UT-SR (2011 DSGN) ACT, 80 PSI AIR SUPPLY

CERTIFIED \_\_\_\_\_ DATE \_\_\_\_\_



a division of Richards Industrials  
 CINCINNATI, OHIO U.S.A

www.marwinvalve.com

DR. BY DW 03/03/17

CHK. BY \_\_\_\_\_

MD10025