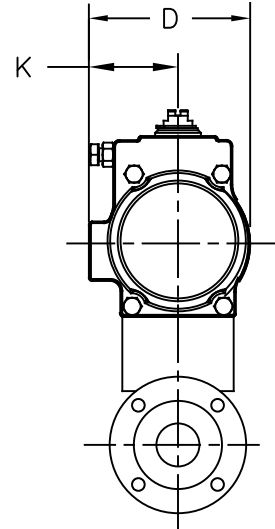
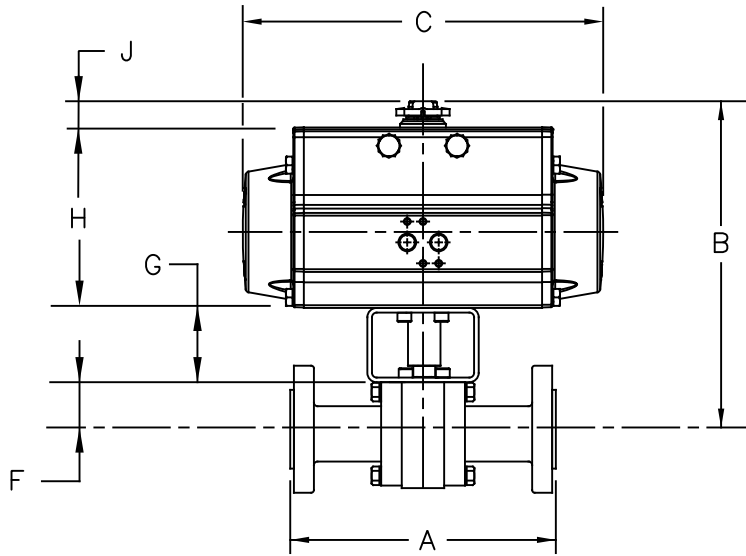


A	MEC 09065	10/20/09	DW
B	WAS PRE-2003 DSGN	04/18/17	DW



SIZE	ACTUATOR	DIMENSIONS (INCHES)								
		A	B	C	D	F	G	H	J	K
1/2" F	UT-0-DA	5.50	7.3	5.5	2.8	1.31	2.00	3.21	0.79	1.6
	UT-1-SR		7.8	6.5	3.2			3.66	0.79	1.8
3/4" F	UT-0-DA	6.00	7.6	5.5	2.8	1.55	2.00	3.21	0.79	1.6
	UT-2-SR		8.7	8.3	3.7			4.37	0.79	2.1
1" F	UT-1-DA	6.50	7.9	6.5	3.2	1.45	2.00	3.66	0.79	1.8
	UT-2.5-SR		9.2	9.5	4.2			4.92	0.79	2.3
1 1/4" F	UT-2-DA	7.00	8.8	8.3	3.7	1.68	2.00	4.37	0.79	2.1
	UT-3-SR		9.9	10.8	4.8			5.43	0.79	2.7
1 1/2" F	UT-2-DA	7.50	9.0	8.3	3.7	1.83	2.00	4.37	0.79	2.1
	UT-3-SR		10.1	10.8	4.8			5.43	0.79	2.7
2" F	UT-3-DA	8.50	10.5	10.8	4.8	2.30	2.00	5.43	0.79	2.7
	UT-4.5-SR		13.2	17.1	6.5			7.76	1.18	3.5
2 1/2" F	UT-3.5-DA	9.50	12.3	13.1	6.5	2.70	2.00	6.39	1.18	2.9
	UT-5-SR		14.6	19.7	7.3			8.70	1.18	3.9
3" F	UT-4-DA	Ⓐ	13.5	14.7	5.8	3.44	2.00	6.87	1.18	3.2
	UT-6-SR	11.12	17.6	22.8	8.5			10.94	1.18	4.3

ACTUATOR SIZE BASED ON RPTFE SEAT, FULL DIFFERENTIAL PRESSURE (285 PSI), 1.2 SERVICE FACTOR, 80 PSI ACTUATOR AIR SUPPLY. ACTUATOR SIZE VARIES WITH SEAT MATERIAL, DIFFERENTIAL PRESSURE, AND SERVICE FACTOR.

TOL. UNLESS OTHERWISE NOTED (IN.)

VA. END-TO-END LENGTH: $\pm \frac{1}{16}$ " VA.-ACT. ASSY & PIPING DIM.: $\pm \frac{1}{2}$ "

OTHER VA. DIM.: \leq NPS 2", $\pm \frac{1}{8}$ "; NPS 2 1/2"~4", $\pm \frac{1}{4}$ "; $>$ NPS 4", $\pm \frac{1}{2}$ "

CUSTOMER ORDER # _____

CUSTOMER _____

TAG No. _____

SIZE & MODEL # 1/2"-3" FULL PORT 3000F

UT DSGN 2011 ACT., 150# FLANGED ENDS

CERTIFIED [Ⓑ] _____ DATE _____



a division of Richards Industries
CINCINNATI, OHIO U.S.A

www.marwinvalve.com

DRAWN BY JLW DATE 09/24/02

CHECKED BY _____ DATE _____

MD03091