

LOCKING DEVICE FOR
1/2" - 2 1/2" SIZES

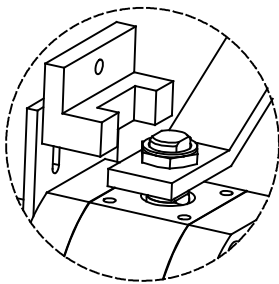
TOL. UNLESS OTHERWISE NOTED (IN.)

VA. END-TO-END LENGTH: $\pm \frac{1}{16}$ "

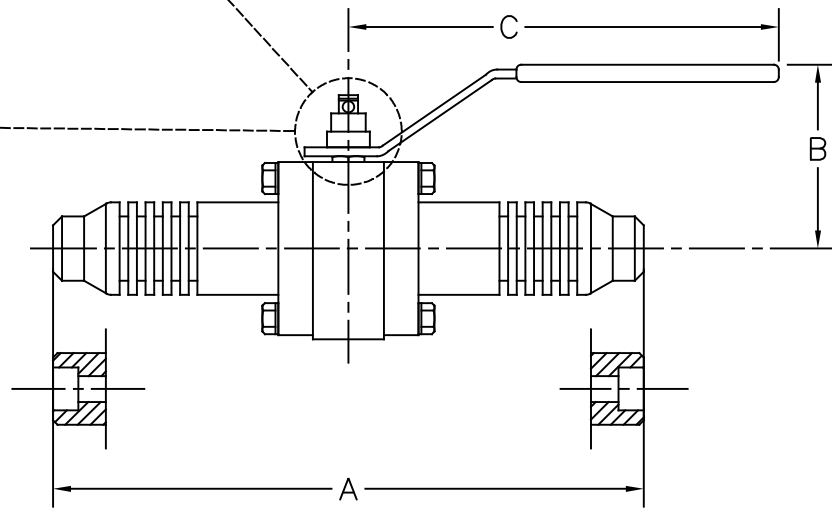
OTHER VA. DIM.: \leq NPS 2", $\pm \frac{1}{8}$ ";

NPS 2 1/2"~4", $\pm \frac{1}{4}$ "; >4", $\pm \frac{1}{2}$ "

VA.-ACT. ASSY & PIPING DIM.: $\pm \frac{1}{2}$ "



LOCKING DEVICE FOR
3" - 4" SIZES



SIZE	DIMENSIONS IN INCHES		
Reduced	A	B	C
1/2"	5.50	2.64	5.4 (A)
3/4"	6.00	2.76	5.4 (A)
1"	6.50	3.15	7.6
1 1/4"	7.00	3.62	7.6
1 1/2"	7.50	4.25	8.9
2"	8.50	4.45	8.9
2 1/2"	9.50	4.65	8.9
3"	11.12	5.35	13.8
4"	12.00	5.91	19.7

CUSTOMER ORDER # _____
 CUSTOMER _____
 TAG No. _____
 SIZE & MODEL # 1/2" - 4" 3000/7000 RED.
 PORT WITH EXT. BWE/FSW AND LOCKING DEVICE
 CERTIFIED _____ DATE _____



a division of Richards Industries
 CINCINNATI, OHIO U.S.A

www.marwinvalve.com

DR. BY JLW 07/02/02
 CHK. BY _____

MD03083