

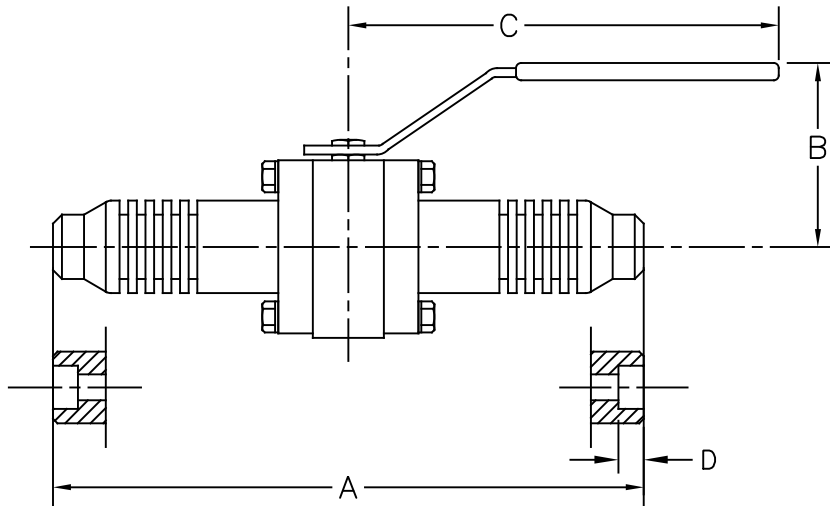
TOL. UNLESS OTHERWISE NOTED (IN.)

VA. END-TO-END LENGTH:  $\pm \frac{1}{16}$ "

OTHER VA. DIM.:  $\leq$ NPS 2",  $\pm \frac{1}{8}$ ";

NPS 2 $\frac{1}{2}$ "~4",  $\pm \frac{1}{4}$ "; >4",  $\pm \frac{1}{2}$ "

VA.-ACT. ASSY & PIPING DIM.:  $\pm \frac{1}{2}$ "



| SIZE   | DIMENSIONS IN INCHES |      |         |      |
|--------|----------------------|------|---------|------|
| Full   | A                    | B    | C       | D    |
| 1/4"   | 5.50                 | 2.64 | 5.4 (A) | 0.40 |
| 3/8"   | 5.50                 | 2.64 | 5.4 (A) | 0.40 |
| 1/2"   | 5.50                 | 2.76 | 5.4 (A) | 0.40 |
| 3/4"   | 6.00                 | 3.15 | 7.6     | 0.52 |
| 1"     | 6.50                 | 3.62 | 7.6     | 0.52 |
| 1 1/4" | 7.00                 | 4.25 | 8.9     | 0.52 |
| 1 1/2" | 7.50                 | 4.45 | 8.9     | 0.52 |
| 2"     | 8.50                 | 4.65 | 8.9     | 0.64 |
| 2 1/2" | 9.50                 | 5.35 | 13.8    | 0.64 |
| 3"     | 11.12                | 5.91 | 19.7    | 0.64 |

CUSTOMER ORDER # \_\_\_\_\_  
 CUSTOMER \_\_\_\_\_  
 TAG No. \_\_\_\_\_  
 SIZE & MODEL # 1/4"-3" 3000/7000 FULL PORT  
 WITH EXT. BWE/FSW \_\_\_\_\_  
 CERTIFIED \_\_\_\_\_ DATE \_\_\_\_\_

**MARWINVALVE**

a division of Richards Industries  
 CINCINNATI, OHIO U.S.A

www.marwinvalve.com

|         |     |          |         |
|---------|-----|----------|---------|
| DR. BY  | JLW | 11/30/01 | MD03060 |
| CHK. BY |     |          |         |