

FMYB NEMA 4 AMYB NEMA 7

Limit Switches

Marwin's FMYB and AMYB Series limit switches are accurate and versatile valve position indicators. FMYB NEMA 4 watertight / dust-tight is for general purpose environments and AMYB NEMA 7 explosion proof is for hazardous locations.

- FMYB meets the requirements of UL NEMA 4 and 4X
- AMYB meets the requirements of UL / CSA NEMA 4, 4X, 7, and 9
- Visual indicator allows changing color or graphics to suit application
- Compression sealed indicator to prevent condensation and contaminants from entering and obscuring the display
- Electrical housing 100% environmentally sealed with no external paint or decals to fade in sun or wash downs
- Corrosion resistant 316 SS external fasteners protected from damage by shrouds, with screw threads isolated from the environment by blind taping
- O-ring sealed SS shaft retained in bearing by internal SS lock ring
- Permanently marked terminals and switches
- Four switch capability

Electrical Area Ratings

- FMYB – UL NEMA 4, 4X Watertight
- AMYB – UL / CSA NEMA 4, 4X Watertight, NEMA 7 Explosion-proof, and NEMA 9 Dust – Ignition-proof

Mechanical Switches –

- Class I, Groups C & D – Div. 1 & 2
- Class II, Groups E, F & G – Div. 1 & 2

TTL Non-contact (Proximity) Switches –

- Class I, Groups A & B – Div. 2
- Class I, Groups C & D – Div. 1 & 2
- Class II, Groups E, F & G – Div. 1 & 2



AMYB NEMA 7



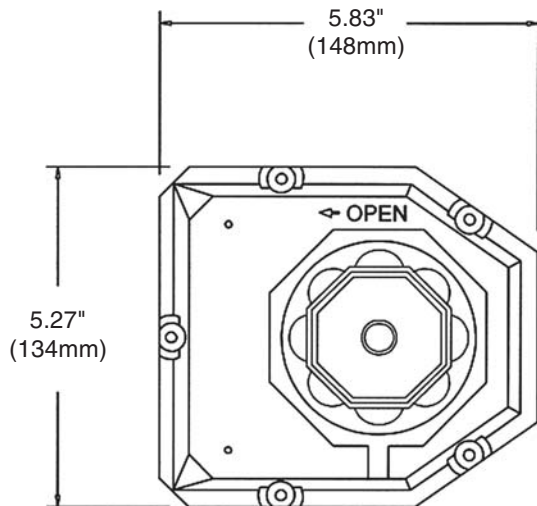
FMYB NEMA 4 on actuator with solenoid valve attached to optional third conduit opening.

Marwin Valve

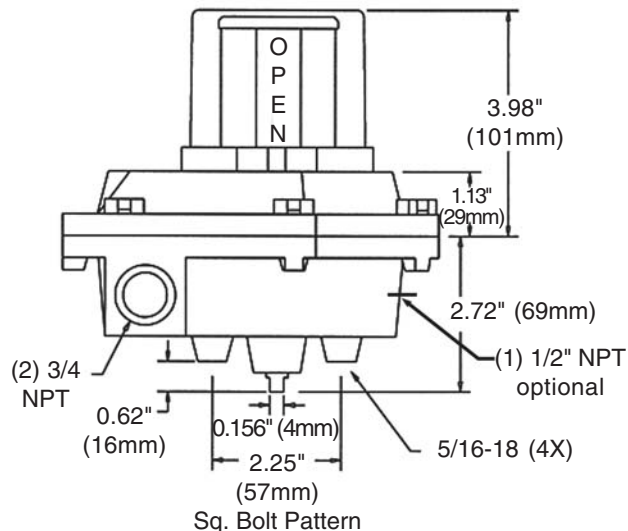
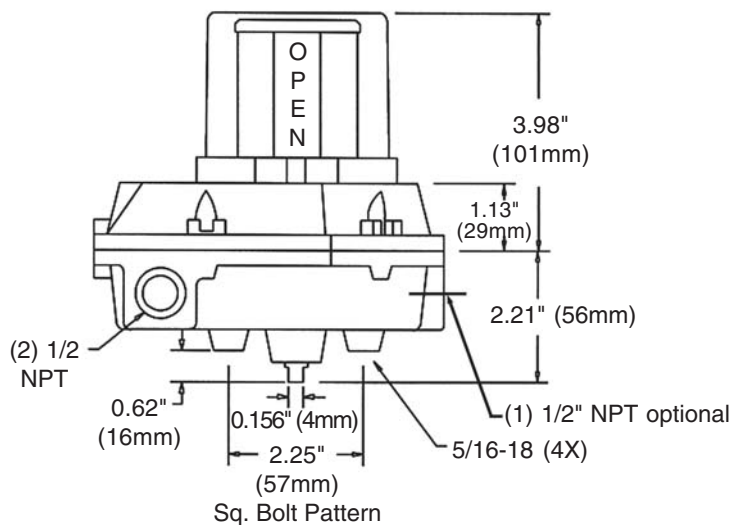
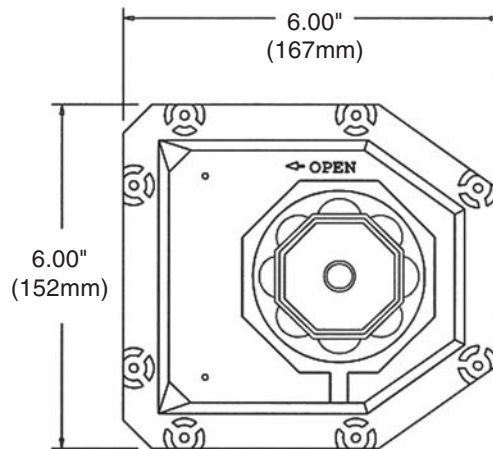
ANYB & FMYB Series – Dimensions

Dimensions

FMYB NEMA 4



AMYB NEMA 7

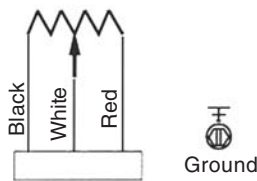
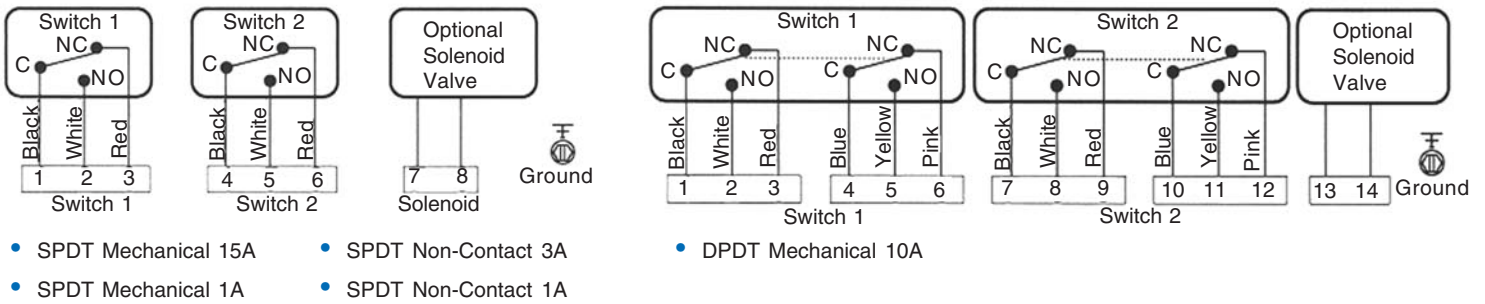


Specifications

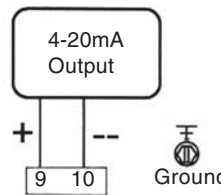
Description	FMYB NEMA 4	AMYB NEMA 7
NEMA Rating	4, 4X	4, 4X, 7, 9
Housing Cover	Aluminum	
Indicator Cover	Extar	
Seals	Buna-N	
Fasteners	Stainless Steel	
Terminal Points	8	
Weight	3.0 lb (1,4 kg)	4.25 lb (1,9 kg)
Operating Temperature	-40°F to +175°F (-40°C to +80°C)	
Agency Approvals	CSA	UL and CSA

Marwin Valve AMYB & FMYB Series – Specifications

Wiring Diagrams



• Resistive Output



• Current Output

Standard No. of Terminal Strip Points	
No. of Pt's	Unit Configuration
8	(2) SPDT Switches
12	(3) Conduit Openings
14	(2) DPDT Switches (3)-(4) SPDT Switches
26	(6) SPDT Switches

Switch Specifications

Mechanical Switches

Code	Switch Type	Description	AC Rating	DC Rating	Contact Form
1	SPDT Mechanical	Cherry	15A-250V	2.5A-24V	C
3	SPDT Mechanical	Prism Gold Plated	1A-120V	1A-24V	C
4	DPDT Mechanical	ITW	10A-250V	7A-24V	CC

TTL Non-Contact (Proximity) Switches

Code	Switch Type	Description	AC Rating	DC Rating	Contact Form
2	SPDT Non-Contact	Tungsten TTL	3A-120V	2A-24V	C
T	SPDT Non-Contact	Rhodium TTL	1A-120V	1A-24V	C
B	SPST Non-Contact	Bifurcated TTL	3A-120V	2A-24V	A

For low current applications, use switch code 3 or T.

Inductive Switches

Code	Switch Type	Description	Supply Voltage	Load Current		Operation
				Target Absent	Target Present	
8	Inductive Sensor NJ2-V3	P & F NJ2-V3 NAMUR	5-25 VDC	<1 mA	3-15 mA	NAMUR
A	Inductive Sensor NEO-X	Moniteur NEO-X	5-25 VDC	<1 mA	3-15 mA	NO

AMYB & FMYB Series Ordering Schematic

Series	Position Indicator	Indicator Type	Bearing Material	Shaft	Switch	Quantity Switches	Conduit Opening	Output
FMYB	M	Y	B	5	1	2	0	

Series	
F	FMYB NEMA 4 Limit Switch
A	AMYB NEMA 7 Limit Switch

Position Indicator	
M	with Position Indicator (Standard)
F	Flat Cover (No Indicator)

Indicator Type	
N	No Indicator
Y	Black / Yellow (Standard)
O, T, F	3-Way Path
S	4-Way Path
1	180 Degree
G	Green / White
R	Red / White
B	Blue / White
A	Green / Red
C	Red / Green

Bearing Material	
B	Bronze (Standard)
S	303 SS

Shaft Type & Material	
5	NAMUR 303 SS

Switch Type	
1	SPDT Mechanical Cherry 15A
2	SPDT Tungsten TTL Non-Contact (Proximity) 15A
3	SPDT Mechanical Prism Gold Plated 1A
4	DPDT Mechanical ITW 10A
T	SPDT Rhodium TTL Non-Contact (Proximity) 1A
B	SPDT Bifurcated TTL Non-Contact (Proximity) 3A
8	Inductive Sensor P&F NJ2-V3
A	Inductive Sensor Moniteur NEO-X 0.3A

See Switch Specifications table on page 3 for complete information on switches

Switch Quantity	
2	2 Switches (Standard)
3	3 Switches
4	4 Switches

Conduit Opening	
0	Standard: FMYB (2) 1/2" NPT AMYB (2) 3/4" NPT
6	Special: FMYB (3) 1/2" NPT AMYB (2) 3/4" NPT + (1) 1/2" NPT

Output Option	
-420	4-20 mA Current
-1K	0 to 1 KOhm Resistive



Marwin Valve, a division of Richards Industries
 3170 Wasson Road • Cincinnati, OH 45209
 513-533-7340 • 800-628-2583 • 513-533-7343 (f)
 marwin@richardsind.com • www.marwinvalve.com