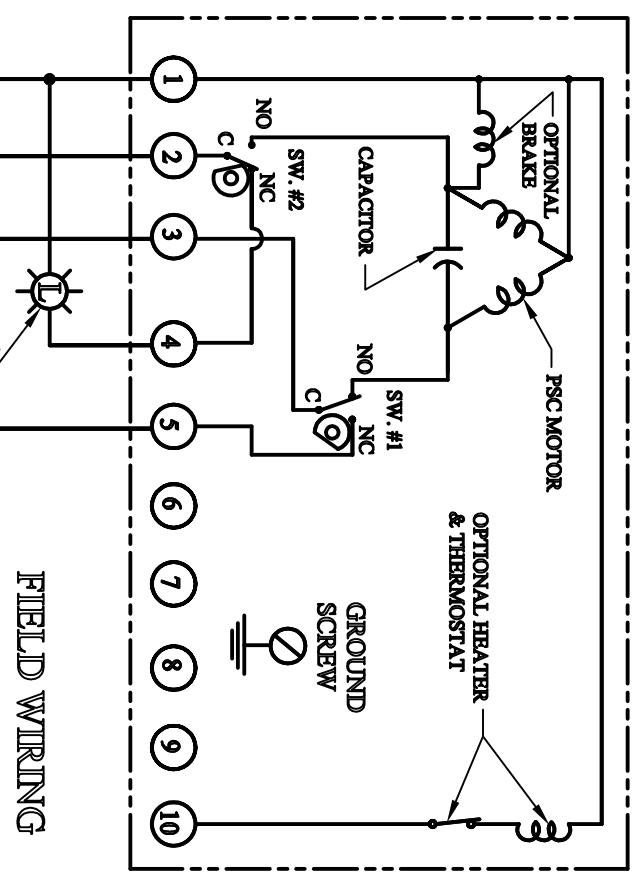
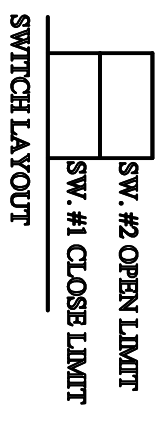


26-01275			
NO	DESCRIPTION	DATE	BY



A.C. SUPPLY POWER  
HOT N

LIGHTS FOR REMOTE POSITION INDICATION

DPDT CONTROL SWITCH SHOWN FOR ILLUSTRATION ONLY

NOTES:  
POWER TO TERMINALS 1 & 2 OPENS THE VALVE (CCW ROTATION)  
POWER TO TERMINALS 1 & 3 CLOSES THE VALVE (CW ROTATION)  
TERMINALS 4 & 5 ARE FOR LIGHT INDICATION

WIRING DIAGRAM ILLUSTRATES THE ACTUATOR IN THE OPEN POSITION

115VAC ER ACT. 2-POS.  
WIRING DIAGRAM  
W/Common Options

REF.	SCALE	-	DATE	09/08/05
	DR. BY	DW		
	CHK. BY			

**26-01275**

**RICHARDS INDUSTRIES**  
CINCINNATI, OHIO  
U.S.A.  
• VALVE GROUP •

SIZE	MARK
USED	ON