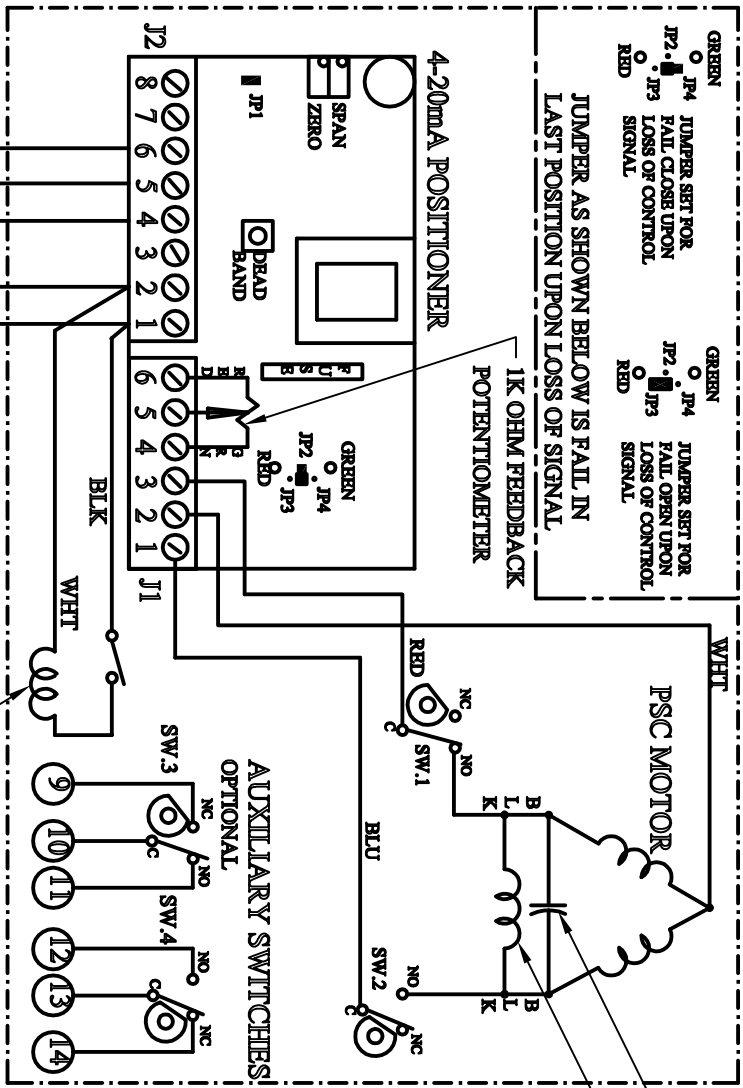


26-01280

NO	DESCRIPTION	DATE	BY

	SW. 4, OPEN
	SW. 3, CLOSE
	SW. 2, OPEN
	SW. 1, CLOSE

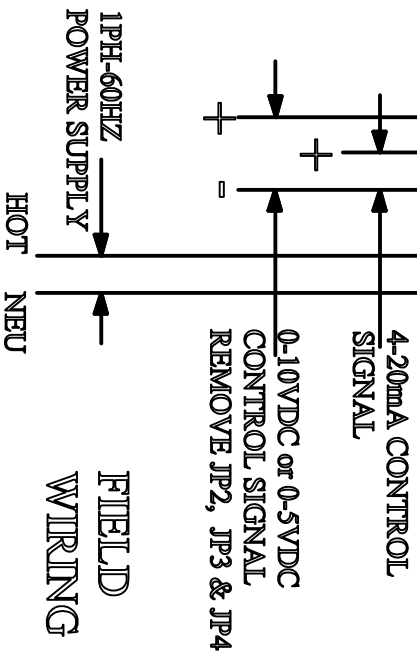


GREEN JP4 JUMPER SET FOR FAIL CLOSE UPON LOSS OF CONTROL
 RED JP3 SIGNAL
 GREEN JP4 JUMPER SET FOR FAIL OPEN UPON LOSS OF CONTROL
 RED JP3 SIGNAL

JUMPER AS SHOWN BELOW IS FAIL IN LAST POSITION UPON LOSS OF SIGNAL.

NOTE:
 ACTUATOR SHIPPED IN OPEN POSITION, 20mA REPRESENTS OPEN POSITION. DO NOT ADJUST FEEDBACK POTENTIOMETER OR LIMIT SWITCHES THEY ARE FACTORY SET AND DO NOT REQUIRE CALIBRATION. TO CALIBRATE THE OPEN AND CLOSE POSITION USE THE ZERO (4mA) AND SPAN (20mA) TRIM POTENTIOMETERS.

TO CALIBRATE OPERATE ACTUATOR TO CLOSE POSITION AND ADJUST WITH ZERO TRIM POT THEN OPERATE TO OPEN POSITION AND SET USING SPAN TRIM POT. NO FURTHER CALIBRATION IS NECESSARY.



WIRING DIAGRAM

115VAC ER ACT. 2-POS.
 WITH 4-20mA POSITIONER

RICHARDS INDUSTRIES
 CINCINNATI, OHIO U.S.A.
 VALVE GROUP

SIZE	MARK

USED ON

REF.	SCALE	DATE	DR. BY	CHK. BY

26-01280