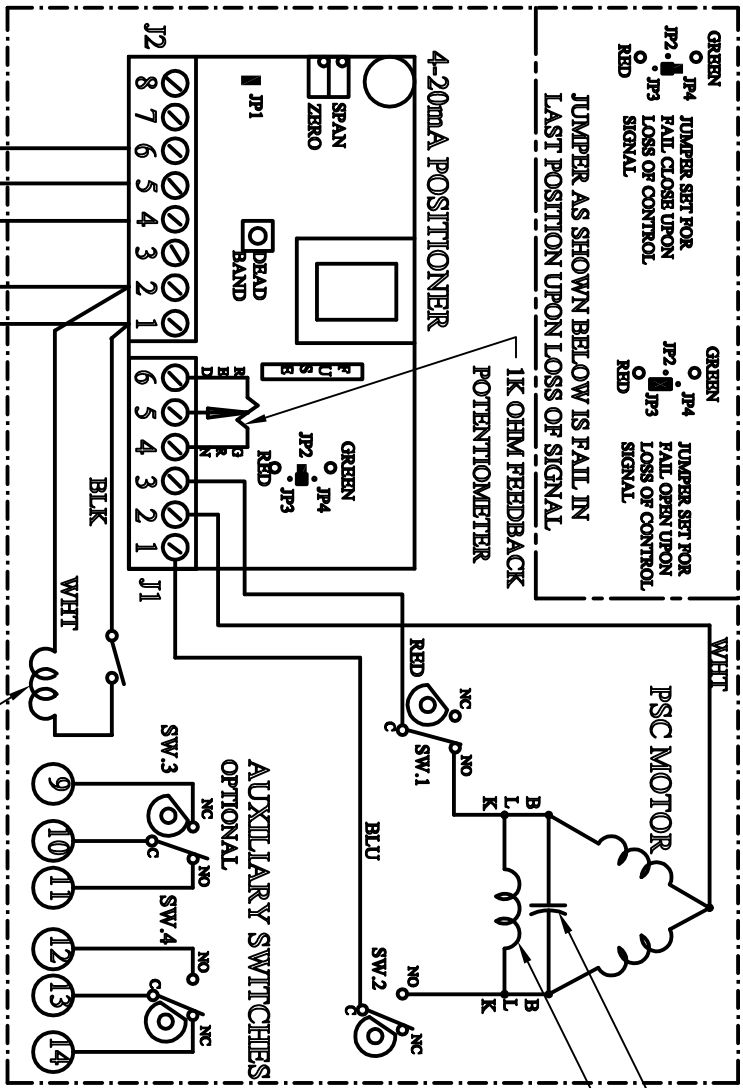


# 26-01280

NO	DESCRIPTION	DATE	BY

	SW. 4, OPEN
	SW. 3, CLOSE
	SW. 2, OPEN
	SW. 1, CLOSE



**NOTE:**  
 ACTUATOR SHIPPED IN OPEN POSITION, 20mA REPRESENTS OPEN POSITION. DO NOT ADJUST FEEDBACK POTENTIOMETER OR LIMIT SWITCHES THEY ARE FACTORY SET AND DO NOT REQUIRE CALIBRATION. TO CALIBRATE THE OPEN AND CLOSE POSITION USE THE ZERO (4mA) AND SPAN (20mA) TRIM POTENTIOMETERS.

TO CALIBRATE OPERATE ACTUATOR TO CLOSE POSITION AND ADJUST WITH ZERO TRIM POT THEN OPERATE TO OPEN POSITION AND SET USING SPAN TRIM POT. NO FURTHER CALIBRATION IS NECESSARY.

1PH-60HZ  
 POWER SUPPLY  
 HOT NEU

4-20mA CONTROL SIGNAL

0-10VDC or 0-5VDC CONTROL SIGNAL  
 REMOVE JP2, JP3 & JP4

FIELD WIRING

## WIRING DIAGRAM

115VAC ER ACT. 2-POS.  
 WITH 4-20mA POSITIONER

**RICHARDS INDUSTRIES**  
 CINCINNATI, OHIO  
 U.S.A.  
 • VALVE GROUP •

SIZE	MARK

USED ON

REF.	SCALE	DATE

26-01280