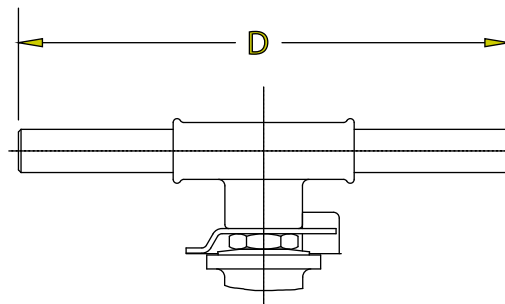


**1"R-6"R 5801**



**8"R 5801**

TOL. UNLESS OTHERWISE NOTED (IN.)

VA. END-TO-END LENGTH:  $\pm \frac{1}{16}''$   
 OTHER VA. DIM.:  $\leq$ NPS 2",  $\pm \frac{1}{8}''$ ;  
 NPS 2  $\frac{1}{2}$ "~4",  $\pm \frac{1}{4}''$ ; >4",  $\pm \frac{1}{2}''$   
 VA.-ACT. ASSY & PIPING DIM.:  $\pm \frac{1}{2}''$

SIZE	DIMENSIONS IN INCHES						WT. (LBS.)
	A	B	C	D	E	F	
1"	5.00	2.17	3.30	5.31	2.50	1.53	5.6
1 1/2"	6.50	3.06	3.94	6.30	3.25	1.99	9.2
2"	7.00	3.74	4.81	9.06	3.50	2.43	16.5
3"	7.99	5.10	5.42	13.78	4.00	3.35	32.4
4"	9.02	5.97	6.29	13.78	4.51	4.22	56.4
6"	10.51	7.76	8.12	15.75	5.26	5.91	113.1
8"	11.50	9.72	10.57	31.50	5.75	7.24	197.8

CUSTOMER ORDER # \_\_\_\_\_  
 CUSTOMER \_\_\_\_\_  
 TAG No. \_\_\_\_\_  
 SIZE & MODEL # 1"-8" RED. PORT SER. 5801R  
 W/150# F.E. \_\_\_\_\_  
 CERTIFIED \_\_\_\_\_ DATE \_\_\_\_\_



**MARWIN**  
 Ball Valves

RICHARDS INDUSTRIES  
 3170 Wasson Rd.  
 Cincinnati, Ohio 45209  
 Telephone (513) 533-5600  
 Fax (513) 533-7343

DR. BY	DW	07/25/07
CHK. BY		

**MD05064**