



3170 Wasson Road • Cincinnati, OH 45209 USA  
Phone 513-533-5600 • Fax 513-871-0105  
marwin@richardsind.com • www.marwinvalve.com

## I & M 8700 Series

### *Installation & Maintenance Instructions for Marwin 8700 Series Three Piece Ball Valves*

Warning: Marwin Valve ball valves must only be used, installed and repaired in accordance with these Installation & Maintenance Instructions. Observe all applicable public and company codes and regulations. In the event of leakage or other malfunction, call a qualified service person; continued operation may cause system failure or a general hazard.

### **Please read these instructions carefully!**

Your Marwin Valve product will provide you with long, trouble-free service if it is correctly installed and maintained. Spending a few minutes now reading these instructions can save hours of trouble and downtime later. When making repairs, use only genuine Marwin Valve parts, available for immediate shipment from the factory.

### **Scope**

This manual is intended as a guide to assist customers in the storage, installation, and maintenance of Marwin 8700 Series ball valves. Subsequent additions or special instructions will be provided for special valves, critical service or customer requirements.

### **Applicability**



This manual is applicable to the 8700 Series Marwin three piece ball valves.

### **Caution**

To help prevent injury to personnel or damage to equipment, please read this section completely before performing any operations.

1. Valve pressure ratings are based on many variables, including valve series and size, as well as body, seat and bolt material. Verify that application

does not exceed the pressure or temperature rating on the nameplate.

2. **Always** depressurize the line with the valve in the **open** position before disassembly. Cycle valve in depressurized line before removing valve.
3. Wear protective equipment and take appropriate precautions to safeguard against injury caused by the discharge of trapped fluids.
4. Use only Marwin recommended spare parts for maintenance.
5. To ensure safety and maintain warranty, never modify valve in any way without prior approval from Marwin.

### **Storage**

A petroleum-based oil (silicone free) is used as lubrication on all internal surfaces. This may be removed with a solvent if found objectionable. All valves are adequately packed in a strong cardboard case in such a way as to avoid any possible damage during transport and storage.

#### **Caution: if ball valves are not destined for immediate use, the following precautions should be taken:**

1. If possible, leave the ball valves in their packing cases during the period of storage.
2. Ball valves must remain in open position during this time.
3. In order to prevent damage, protective plastic covers on valve ends should not be removed until immediately prior to installation.
4. It is advisable to store the valves in waterproof conditions. Ball valves should be protected to safeguard against humidity, moisture, dust, dirt sand, mud, salt spray and seawater.
5. All valves complete with actuators are to be stored in dry conditions.
6. Valves to be stored for a long period of time should be checked by the quality control personnel every six months; every three months when valves are automated.

### **Maintenance During Storage Period**

- Internal surface should be inspected to check for dust or other foreign objects.
- Rust or dust must be removed by cleaning with proper solvent.
- After cleaning, ball valves must be lubricated with an adequate lubricant.
- Ball valves should be operated for at least two complete cycles before installing or returning to storage.

---

## **Installation**

---

The ball valves may be installed in any position using standard pipe fitting practices.

### **Caution: Before installation of the valve:**

1. Pipe must be free of tension both during and after installation.
2. Pipe must be flushed to clean dirt, welding residues, etc. which would damage ball or seats.
3. The valve should be kept in OPEN POSITION during installation and protective plastic covers must be removed only at the moment of installation.
4. Before shipment, the ball is lubricated with a pure Vaseline oil. This can be easily removed with an application compatible solvent if required.
5. If the valve was specified to be tested per ASTM 16.34, there may be some trapped water between the ball and the body cavity. This can be removed by partially opening the valve, thereby exposing the cavity to the through port of the ball.
6. Special care should always be taken when installing automated ball valves that the ball is in the proper position.

### **■ Installation of Threaded-Ends**

1. Unless otherwise specified, pipe threads are American National Standard Taper Pipe Threads (NPT) per ANSI B1.20.1, and require that a pipe sealant be used.
2. Use an anti-seize thread sealant to seal and prevent galling.
  - a. Marwin recommends PTFE-based liquid sealant or Grafoil tape as thread sealants.
  - b. Notes:
    1. Use all pipe sealant products in accordance with the manufacturer's instructions and good piping practices.
    2. Correct lubrication of stainless steel pipe threads is especially important to prevent galling.
3. To prevent distortion or damage to the valve, do not apply torque through the valve. When tightening

valve, use wrench on the end nearest the pipe being tightened.

4. Always leak test the system before using.

### **■ Installation of Welded-End Ball Valves**

1. Tack weld in four points on both end caps.
2. Lift out the valve body and seat per disassembly section in this procedure and complete the welding.
3. Allow welds to cool.
4. Reassemble valve per section in this procedure and inspect for easy operation.

### **■ Installation of Flanged-Ends**

1. Verify valve is in the full open position.
2. Use the appropriate size bolt and heavy hex nut (not included) as recommended for flange size and class.
3. Flange connection requires gasket (not included).
4. Follow gasket manufacturer's recommended practice for tightening flange bolts.

---

## **Manual Operation**

---

1. Open and close the valve by turning the handle one-quarter turn (90°).
2. Valve is in open position when handle is in line with the pipe.
3. Valve is in closed position when the handle is perpendicular to the pipe.

---

## **Maintenance**

---

Before starting maintenance, please read information contained in the **Caution Section** of the manual.

1. Ball valves do not normally need internal lubrication or routine maintenance during service.
2. Packing may be adjusted if the valve is leaking around the stem, or the stem feels loose. See *Troubleshooting – A. Stem Leakage*.
3. Internal maintenance consists of replacing packing, seats and seals, and ball or stem if worn or damaged, and requires partial or full disassembly by qualified personnel following the instructions in this manual.

---

## **Valve Disassembly**

---

Before starting maintenance, read the information in the **Caution Section** of this manual.

### **A. To inspect and/or Replace Body Seals, Seats, Packing & Ball**

*Reference cross section for part identification*

1. Valve must be in the open position.
2. Remove valve from line.

3. Remove bolts (15) securing end cap and separate end caps (2) from body (1).
4. Close the valve and remove ball (4), seats (3) and body seals (6). Be careful not to damage the ball.
5. Remove the upper handle nut (12), and handle (11).
6. Remove spacer ring (9B), saddle lock washer (19), lower handle nut (12), Belleville spring washers (10), gland ring (9A), and packing (8).
7. Push the stem (5) into the body (1). Remove O-Ring (16) and thrust washer (7) from stem.

## B. Inspection and Replacement

With the valve completely disassembled, clean and examine all components.

1. The surface of the ball should be free from any defect. If any are found, the ball should be replaced. Using a defective ball will be extremely detrimental to valve performance.
2. Seats. Replacement of seats is recommended.
3. Seals - Stem seals and body seals, including thrust washer, should be discarded and replaced.
4. Remaining components of the valve. After cleaning, carefully examine for wear, corrosion and mechanical damage. Replace all defective parts.
5. Clean inside of body and stem housing. Light grease, compatible with line fluid, can be used on ball, seals and stem surface.

**Note: Recommended spare parts are indicated by an asterisk on the part name in the exploded view at the end of this manual. Please specify specific valve number to ensure proper parts are ordered. Marwin Valve does not take responsibility for incorrectly ordered spare parts.**

---

## Re-Assembly

---

### A. Stem

1. Replace thrust washer (7) and O-ring (16) on stem, then insert the stem from inside of body.
2. Install stem packing (8), gland ring (9), Belleville spring washers (10), lower handle nut (14), and tighten until snug, then one-half turn (See Bolt Torque Table). To avoid rotation of stem, insert the handle and ball. Install saddle lock washer (17) and spacer ring (9B).
  - a) Install the handle (11) and upper handle nut (12), then tighten.

### B. Ball, Seats and Seals

1. Place the stem (5) in closed position and insert the ball (4), aligning groove in ball with bottom of stem.
2. Position the ball in the open position then insert a seat (3), body seal (6), and end cap (13) on each side of body (10).
3. Install and hand tighten body bolts (15), lock

washer (16), and nut (17).

4. Tighten nuts (17) to recommended torque values (see Bolt Torque Data) using an alternating/opposing pattern with no more than 1/4 turn on each bolt before alternating.

---

## Testing

---

1. After completing the reassembly, check that valve operates smoothly by opening and closing valve several times.
2. If entire valve was removed from line and if facilities area available, test the ball valve to appropriate specifications.

---

## Troubleshooting

---

### A. Stem Leakage

1. Leakage in the stem packing area may be eliminated by adjusting the lower stem (gland) nut. Remove handle parts (See *Valve Disassembly, A5*). See *Bolt Torque Table* for stem nut socket size and reference torque. Increase the torque on the lower stem nut (12) in one-sixth turn increments. Insure stem does not rotate while tightening stem nut. If leakage persists, replace stem O-ring (16) and packing (8).

### B. Body Seal Leakage

1. Check the torque of the body bolts (15) according to Torque Table. Replace body seals (6) if leakage persists.

### C. In Line or Seats Leakage

1. Check to be sure valve is in fully closed position. If leakage persists, the valve must be disassembled and damaged parts replaced.

## Body Bolt Torque Valve Table

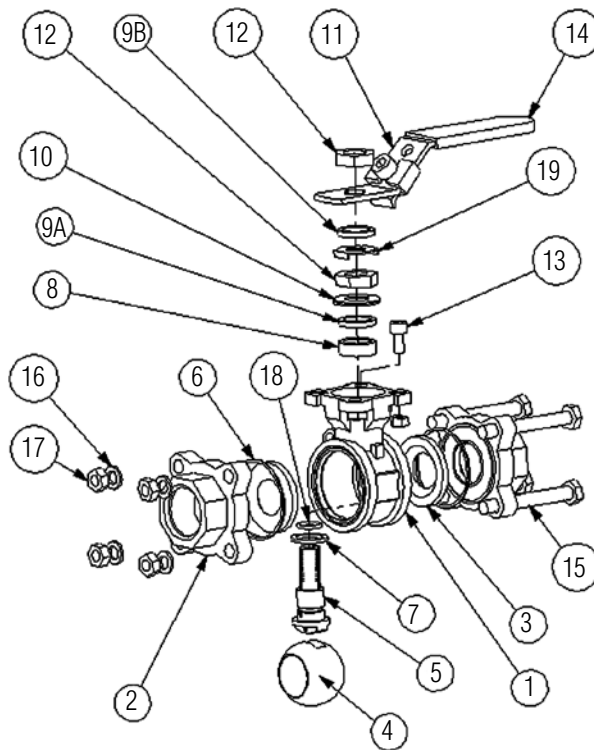
### Body Bolt

Valve Size	Bolt Size	Torque, in-lbs (n.M)	Tolerance
1/2"	M8	165 (19)	+/- 10%
3/4"	M8	195 (22)	
1"	M8	220 (25)	
1-1/2", 2"	M10	360 (41)	

### Stem Nut

Valve Size	Nut Flats	Torque, in-lbs (n.M)	Tolerance
1/2", 3/4"	17mm	31 (3,5)	+/- 10%
1"	22mm (7/8")	35 (4)	
1-1/2", 2"	1-1/6 in (27mm)	48 (5,5)	

## Exploded View



Item #	Quantity	Part Name	Item #	Quantity	Part Name
1	1	Body	12	2	Handle Nut
2	2	End Cap	13	1	Stop Screw & Nut
3	2	*Seat	14	1	Handle Cover
4	1	Ball	15	4	Bolt, Body
5	1	Stem	16	4	Lock Washer, Body
6	2	*Seal, Body	17	4	Nut, Body
7	1	*Thrust Washer	18	1	*O-Ring, Stem
8	1	*Packing	19	1	Locking Tab
9A	1	Gland Ring	20	2	Anti-Static Ball (In Stem)
9B	1	Spacer Ring, Stem	21	2	Anti-Static Spring (In Stem)
10	2	Belleville Spring Washer	21	1	Name Plate (Not Shown)
11	2	Locking Handle			

\* Recommended spare parts