

# 4600 Series

## Brass Swing-Out Valves

The 4600 Series is a three piece design, multi-purpose brass ball valve for use in general utility services, HVAC, water systems and compressed air.

- Sizes 1-1/4" through 3" standard port, and 1/4" through 2-1/2" full port
- Available in threaded or solder end connections
- Design allows for in-line maintenance
- Pressure ratings of 150 PSI (10,3 Bar) SWP, 500 PSI (41,4 Bar) WOG
- Ball and stem available in stainless or brass materials
- Can be readily automated with pneumatic or electric actuators
- Static grounding washer
- Vented ball (SS trim only)



### 4600 Series Ordering Schematic

1	2	3	4	5	6	7	—	8
46	3	3	F	T	T	S	—	025

1	Series
46	4600

2	Ball
3	SS
6	Brass

3	Stem
3	SS
6	Brass

4	Port
F	Full Port (1/4" – 2-1/2")
R	Standard Port (1-1/4" – 2-1/2")

5	Packing
T	PTFE

6	Seats
T	PTFE

7	Ends
S	Threaded
W	Solder

8	Size
025*	1/4"
038*	3/8"
050*	1/2"
075*	3/4"
100*	1"
125	1-1/4"
150	1-1/2"
200	2"
250	2-1/2"
300**	3"

\* only available in Full Port

\*\* only available in Standard Port

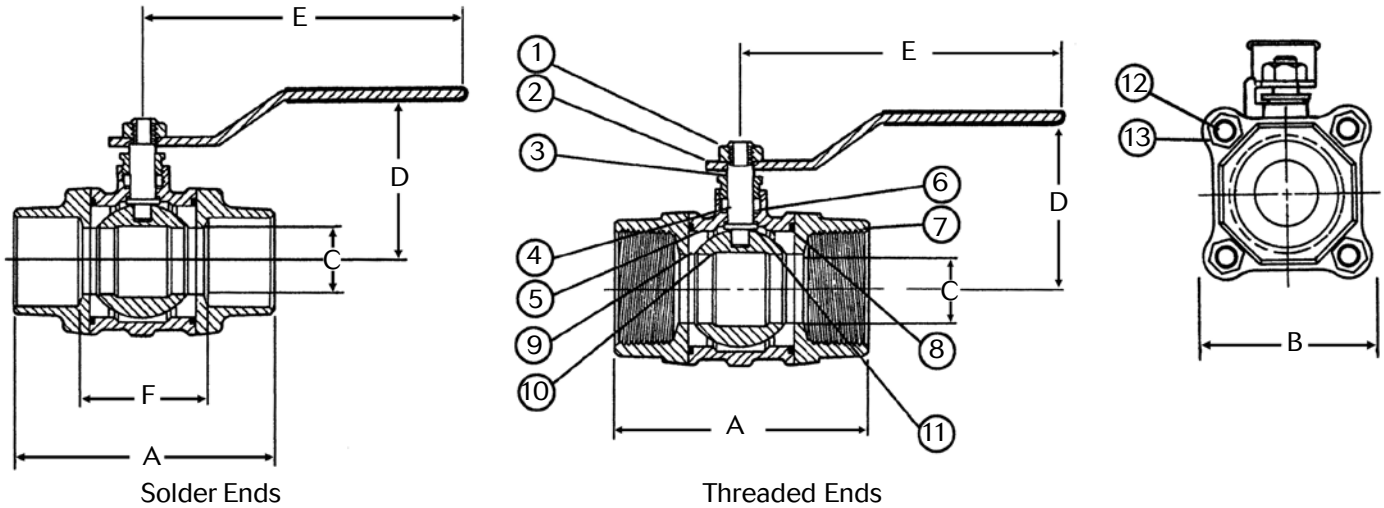


Marwin Valve, a division of Richards Industries

3170 Wasson Road • Cincinnati, OH 45209

513.533.7340 • 800.628.2583 • 513.533.7343 (f)

marwin@richardsind.com • www.marwinvalve.com



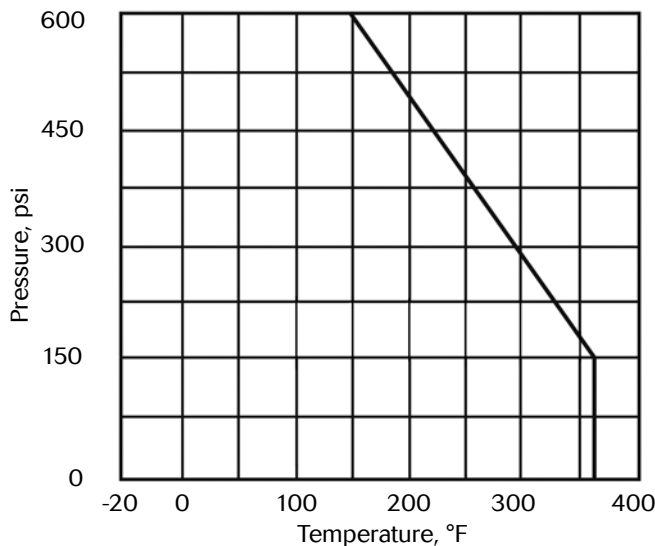
### Dimensions 4600R – inches (mm)

Size	Dim A Thd	Dim A Solder	B	C	D	E	Dim F Solder	Wt Thd	Wt Solder
1-1/4"	3.69 (947)	3.84 (98)	2.50 (64)	1.00 (25,4)	2.25 (57,2)	4.66 (118,4)	1.88 (47,8)	2.7 (1,2)	2.5 (1,1)
1-1/2"	4.09 (104)	4.25 (108)	2.69 (68)	1.25 (31,8)	2.75 (69,9)	6.69 (169,9)	2.03 (51,6)	3.9 (1,8)	3.6 (1,6)
2"	4.81 (122)	5.25 (133)	3.00 (76)	1.50 (38,1)	2.97 (75,4)	6.69 (169,9)	2.56 (65,0)	5.8 (2,6)	5.3 (2,4)
2-1/2"	6.16 (156)	6.13 (156)	4.00 (102)	2.00 (50,8)	3.63 (92,2)	6.69 (169,9)	3.19 (81,0)	11.5 (5,2)	10.5 (4,8)
3"	6.84 (174)	7.44 (189)	5.00 (127)	2.50 (63,5)	4.09 (103,9)	8.00 (203,2)	4.13 (104,9)	21.0 (9,5)	20.0 (9,1)

### Dimensions 4600F – inches (mm)

Size	Dim A Thd	Dim A Solder	B	C	D	E	Dim F Solder	Wt Thd	Wt Solder
1/4"	2.50 (64)	1.69 (43)	1.81 (46)	0.38 (9,7)	1.69 (42,9)	3.91 (99,3)	1.13 (28,7)	1.0 (0,5)	0.9 (0,4)
3/8"	2.50 (64)	1.81 (46)	1.81 (46)	0.38 (9,7)	1.69 (42,9)	3.91 (99,3)	1.13 (28,7)	1.0 (0,5)	0.9 (0,4)
1/2"	2.50 (64)	2.06 (52)	1.81 (46)	0.50 (12,7)	1.69 (42,9)	3.91 (99,3)	1.13 (28,7)	1.0 (0,5)	0.9 (0,4)
3/4"	3.00 (76)	2.94 (75)	1.94 (49)	0.75 (19,1)	2.00 (50,8)	4.66 (118,4)	1.44 (36,6)	1.7 (0,8)	1.6 (0,7)
1"	3.69 (94)	3.66 (93)	2.50 (64)	1.00 (25,4)	2.25 (57,2)	4.66 (118,4)	1.84 (46,7)	2.7 (1,2)	2.5 (1,1)
1-1/4"	4.09 (104)	3.91 (99)	2.69 (68)	1.25 (31,8)	2.75 (69,9)	6.69 (169,9)	1.97 (50,0)	3.8 (1,7)	3.7 (1,7)
1-1/2"	4.56 (116)	4.59 (117)	3.00 (76)	1.50 (38,1)	2.97 (75,4)	6.69 (169,9)	2.38 (60,5)	5.6 (2,5)	5.3 (2,4)
2"	6.16 (157)	5.78 (157)	4.00 (102)	2.00 (50,8)	3.63 (92,2)	6.69 (169,9)	3.06 (77,7)	11.3 (51,2)	10.5 (4,8)
2-1/2"	6.84 (174)	6.94 (176)	5.00 (127)	2.50 (63,5)	4.09 (103,9)	8.00 (203,2)	4.00 (101,6)	21.4 (9,7)	19.6 (8,9)

### Pressure-Temperature Chart



### Materials of Construction

No.	Description	Material Specification
1A	Handle Nut (SS Trim)	Stainless Steel
1B	Handle Nut (Br Trim)	Zinc Plated Steel
2	Handle	Zinc Plated Steel, Clear Chromate Plastisol Coated
3	Threaded Packing Gland	Brass ASTM B-16 Alloy C36000
4A	Stem (SS Trim)	Stainless Steel ASTM A-276 Type 316
4B	Stem (Br Trim)	Silicon Brass ASTM B-371 Alloy C69400 or B99 Alloy C65100
5	Body	Brass ASTM B-584 Alloy C84400
6	Packing	TFE
7	Body Ends	Brass ASTM B-584 Alloy C84400
8	O-Ring Seal (2)	Fluorocarbon Rubber
9	Seat Ring (2)	TFE
10A	Ball (SS Trim) Vented	Stainless Steel ASTM A276 Type 316 or A351 Gr. CF8M
10B	Ball (Br Trim)	Brass ASTM B124 Alloy C37700 or B16 Alloy C36000, Hard Chrome Plated
11	Thrust Washer	Reinforced TFE
12	Body Bolts	Zinc Dichromate Plated Steel, ASTM A-449 Grade 5
13	Body Nuts	Zinc Dichromate Plated Steel, ASTM A-449 Grade 5

Note: Static grounding washer not shown.