

3T3300/3L3400 Series

Three Way Brass Ball Valves

The 3T3300/3L3400 Series valve is available in "T" Port or "L" Port and is designed for flow that is mixed, diverted, or shut-off, and may be utilized in transfer or balancing control applications.

- Sizes 1/4" through 2" in standard port design
- Four seat construction standard to provide control at each port opening
- Each of the three ports may be used as a block or flow port
- Easily automated and can be adapted to multiple valve-to-actuator, or manual limit switch, situations
- Pressure ratings up to 435 psi wog (1/4" through 1"); 235 psi wog (1-1/4"); and 275 psi wog (1-1/2" through 2")
- Simple and convenient automation – constructed with a fully machined ISO 5211 mounting pad for direct installation of actuator
- Agency Approvals: CE/PED for those sizes where required, CRN



3T3300/3L3400 Series Ordering Schematic

1	2	–	3	4	5	6	7	8	–	9	–	10
3	T	–	33	00	R	T	T	S	–	100	–	–
3	L	–	34	00	R	T	T	S	–	100	–	–

1	Body Port, Configuration
3	3-Way

2	Ball Port, Configuration
L	"L" Port
T	"T" Port

3	Series
33	3300
34	3400

4	Ball & Stem
00	Brass

5	Port Design
R	Standard Port

6	Stem Packing
T	PTFE

7	Seat
T	PTFE

8	End Connections
S	FNPT

9	Size
025	1/4"
038	3/8"
050	1/2"
075	3/4"
100	1"
125	1-1/4"
150	1-1/2"
200	2"

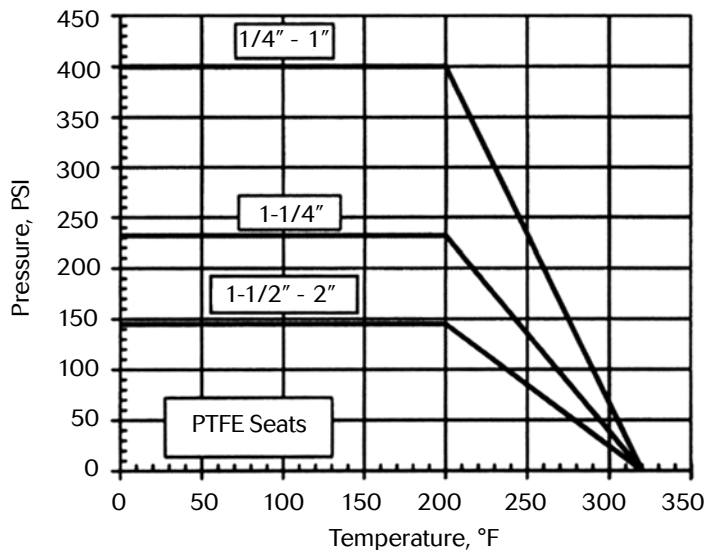
10	Rotation
–	90°
180	180° *
270	270° *

* Requires special machining of top pad.



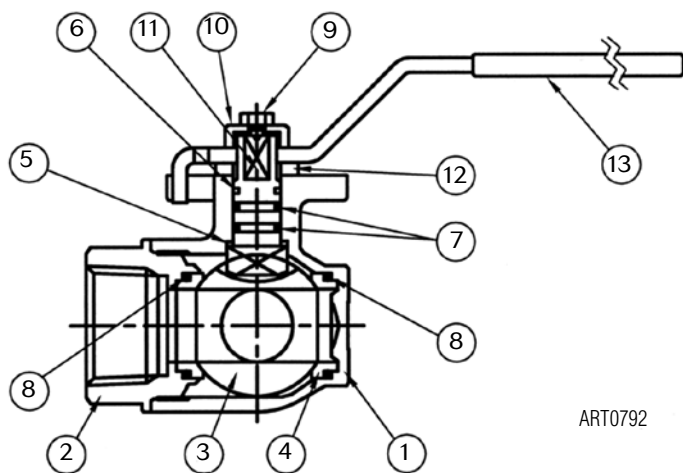
Marwin Valve, a division of Richards Industries
 3170 Wasson Road • Cincinnati, OH 45209
 513.533.7340 • 800.628.2583 • 513.533.7343 (f)
 marwin@richardsind.com • www.marwinvalve.com

Pressure – Temperature Chart



Size	Flow Cv (Kv)	WOG PSI (BAR)	Weight Lb (Kg)
1/4"	3.3 (2,8)	435 (30)	1.0 (0,5)
3/8"	3.5 (3,0)	435 (30)	1.0 (0,5)
1/2"	4.2 (3,6)	435 (30)	1.2 (0,5)
3/4"	7.0 (6,0)	435 (30)	1.8 (0,8)
1"	12.8 (11,1)	435 (30)	3.3 (1,5)
1-1/4"	18.7 (16,1)	235 (16)	5.3 (2,4)
1-1/2"	29.8 (25,7)	145 (10)	8.7 (3,9)
2"	43.8 (37,7)	145 (10)	17.1 (7,8)

Bill of Materials



Part No.	Part Name	Specification	No.
1	Body	*Brass CuZn40Pb2	1
2	End Cap	*Brass CuZn40Pb2	3
3	Ball	*Brass CuZn40Pb2	1
4	Seats	PTFE	4
5	Thrust Washer	PTFE	1
6	Bearing, Stem	PTFE	1
7	"O" Ring, Stem	Viton®	2
8	"O" Ring, Seat	Viton®	4
9	Screw	Plated Steel	1
10	Bushing	**Brass CuZn39Pb3	1
11	Stem	**Brass CuZn39Pb3	1
12	Washer	Nylon	1
13	Handle	Plated Steel	1

*UNI EN 12165 CW617N (58Cu-40Zn-2Pb) equivalent to Hot Forging Brass UNS C37700 (60Cu-39Zn-2Pb). **UNI EN 12164 CW614N (58Cu-39Zn-3Pb) equivalent to Architectural Brass bar UNS C38500 (57Cu-40Zn-3Pb)

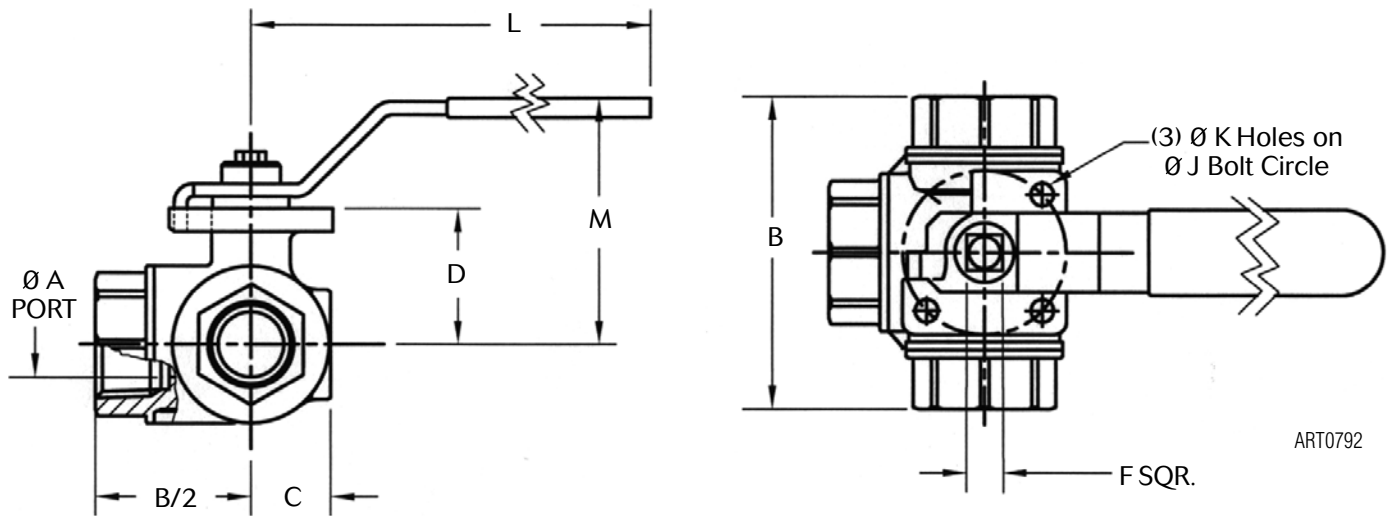
Port Arrangement

Position Flow Pattern	A	B	C
T3 90°			
T4 90°			
T8 90°			
T9 90°			

Port Arrangement

Position Flow Pattern	A	B	C
L2 90°			
L3 180°			

Marwin Valve 3T3300/3L3400 Series – Dimensions

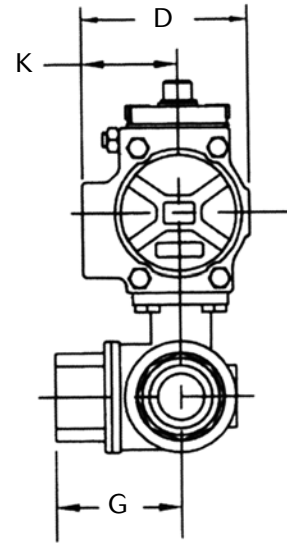
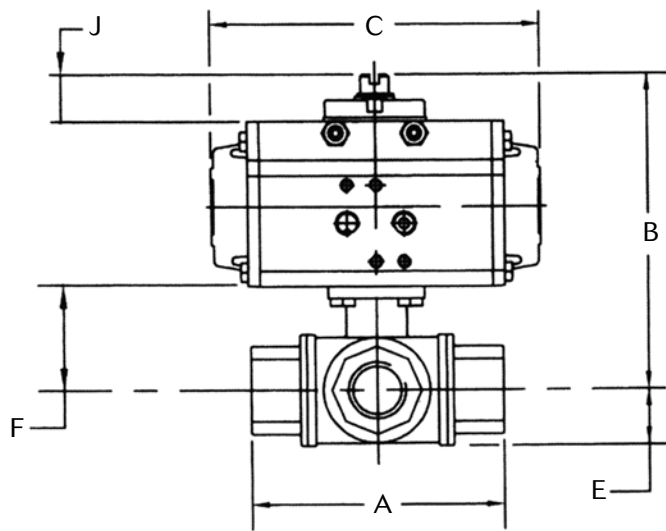


ART0792

Size	$\varnothing A$	B	C	D	E	F	$\varnothing H$	I	$\varnothing J$	$\varnothing K$	L	M
1/4" DN8	0.39 (9,9)	2.64 (67,1)	0.77 (19,6)	1.20 (30,5)	0.35 (8,9)	0.350 (8,89)	1.34 (34,0)	F03	1.42 (36,0)	0.24 (6,1)	4.72 (120)	2.44 (62)
3/8" DN10	0.43 (10,9)	2.64 (67,1)	0.77 (19,6)	1.20 (30,5)	0.35 (8,9)	0.350 (8,89)	1.34 (34,0)	F03	1.42 (36,0)	0.24 (6,1)	4.72 (120)	2.44 (62)
1/2" DN15	0.43 (10,9)	2.87 (72,9)	0.77 (19,6)	1.20 (30,5)	0.35 (8,9)	0.350 (8,89)	1.34 (34,0)	F03	1.42 (36,0)	0.24 (6,1)	4.72 (120)	2.44 (62)
3/4" DN20	0.59 (15,0)	3.19 (81,0)	0.87 (22,1)	1.29 (32,8)	0.35 (8,9)	0.350 (8,89)	1.53 (38,9)	F03	1.42 (36,0)	0.24 (6,1)	4.72 (120)	2.52 (64)
1" DN25	0.79 (20,1)	3.74 (95,0)	1.00 (25,4)	1.63 (41,4)	0.43 (10,9)	0.430 (10,92)	1.89 (48,0)	F05	1.97 (50,0)	0.27 (6,9)	6.69 (170)	2.95 (75)
1-1/4" DN32	0.98 (24,9)	4.39 (111,5)	1.22 (31,0)	1.85 (47,0)	0.43 (10,9)	0.430 (10,92)	2.36 (59,9)	F05	1.97 (50,0)	0.27 (6,9)	6.69 (170)	3.17 (81)
1-1/2" DN40	1.26 (32,0)	4.86 (123,4)	1.79 (45,5)	2.34 (59,4)	0.43 (10,9)	0.430 (10,92)	2.83 (71,9)	F05	1.97 (50,0)	0.27 (6,9)	6.69 (170)	3.66 (93)
2" DN50	1.57 (39,9)	5.73 (145,5)	1.75 (44,5)	2.90 (73,7)	0.59 (15,0)	0.550 (13,97)	3.38 (85,9)	F07	2.76 (70,0)	0.35 (8,9)	9.05 (230)	4.43 (113)

Marwin Valve 3T3300/3L3400 Series – Dimensions

3T3300/3L3400/1110/5K/AB



Size	Actuator	A	B	C	D	E	F	G	J	K	Weight Lb (Kg)
1/4" DN8	UT-0A-DA	2.63 (66,8)	3.8 (96)	4.3 (109,2)	1.8 (45,7)	0.67 (17,06)	1.20 (30,5)	1.31 (33,3)	0.79 (20,1)	0.9 (22,9)	2.0 (0,9)
	UT-0-SR		4.7 (120)	5.5 (139,7)	2.8 (71,2)				0.79 (20,1)	1.6 (40,6)	4.0 (1,8)
3/8" DN10	UT-0A-Da	2.63 (66,8)	3.8 (96)	4.3 (109,2)	1.8 (45,7)	0.67 (17,06)	1.20 (30,5)	1.31 (33,3)	0.79 (20,1)	0.9 (22,9)	2.0 (0,9)
	UT-0-SR		4.7 (120)	5.5 (139,7)	2.8 (71,2)				0.79 (20,1)	1.6 (40,6)	4.0 (1,8)
1/2" DN15	UT-0A-DA	2.87 (72,9)	3.8 (96)	4.3 (109,2)	1.8 (45,7)	0.67 (17,06)	1.20 (30,5)	1.43 (36,3)	0.79 (20,1)	0.9 (22,9)	2.0 (0,9)
	UT-0-SR		4.7 (120)	5.5 (139,7)	2.8 (71,2)				0.79 (20,1)	1.6 (40,6)	4.0 (1,8)
3/4" DN20	UT-0A-DA	3.18 (80,8)	3.8 (96)	4.3 (109,2)	1.8 (45,7)	0.80 (20,3)	1.28 (32,5)	1.59 (40,4)	0.79 (20,1)	0.9 (22,9)	3.0 (1,4)
	UT-0-SR		4.8 (122)	5.5 (139,7)	2.8 (71,2)				0.79 (20,1)	1.6 (40,6)	5.0 (2,3)
1" DN25	UT-0-DA	3.74 (95,0)	5.2 (131)	5.5 (139,7)	2.8 (71,2)	0.94 (23,9)	1.63 (41,4)	1.87 (47,5)	0.79 (20,1)	1.6 (40,6)	6.0 (2,7)
	UT-2-SR		6.2 (159)	8.2 (208,3)	3.7 (94,0)				0.79 (20,1)	2.1 (53,3)	11.0 (5,0)
1-1/4" DN32	UT-0-DA	4.38 (111,3)	5.4 (138)	5.5 (139,7)	2.8 (71,2)	1.18 (30,0)	1.85 (47,0)	2.20 (55,9)	0.79 (20,1)	1.6 (40,6)	8.0 (3,6)
	UT-2-SR		6.4 (164)	8.2 (208,3)	3.7 (94,0)				0.79 (20,1)	2.1 (53,3)	13.0 (5,9)
1-1/2" DN40	UT-0-DA	4.13 (104,9)	5.9 (149)	5.5 (139,7)	2.8 (71,2)	1.42 (36,1)	2.34 (59,4)	2.43 (61,7)	0.79 (20,1)	1.6 (40,6)	11.0 (5,0)
	UT-2-SR		7.0 (177)	8.2 (208,3)	3.7 (94,0)				0.79 (20,1)	2.1 (53,3)	15.0 (6,8)
2" DN50	UT-1-DA	4.80 (121,9)	6.9 (174)	6.4 (162,6)	3.2 (81)	1.69 (42,9)	2.90 (73,7)	2.86 (72,6)	0.79 (20,1)	1.8 (45,7)	21.0 (9,5)
	UT-3-SR		8.5 (215)	10.7 (271,8)	4.8 (121,9)				0.79 (20,1)	2.7 (68,6)	32.0 (14,5)