



Marwin Valve

Three Way Valves

3L/T-3900 Series Side Entry Ball Valves



www.marwinvalve.com

3L/T-3900 Three Way Valves

A full port three way ball valve that provides greater flow and is easily automated.

Features & Benefits

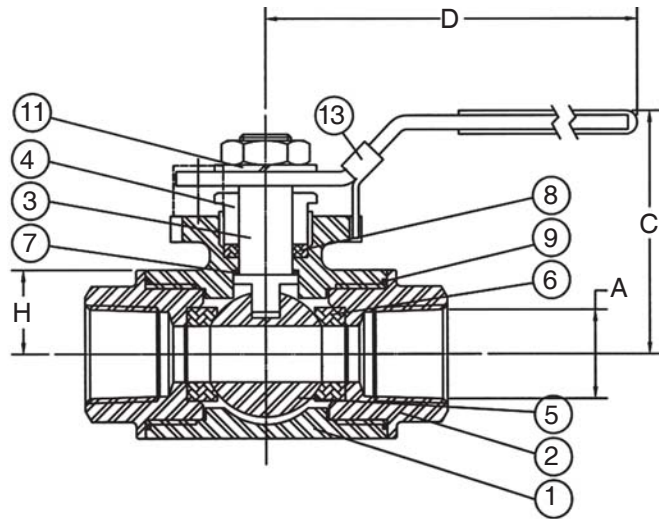
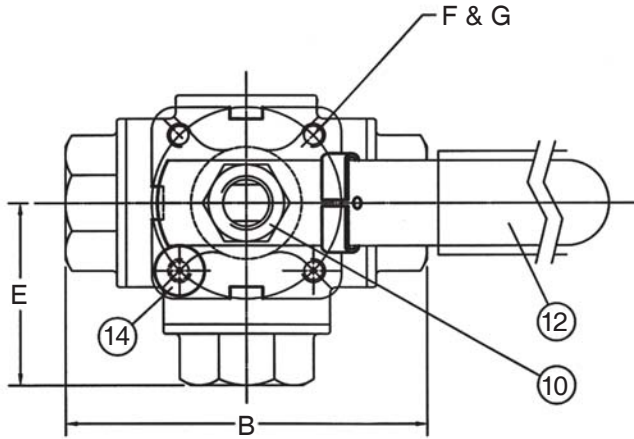
- ▶ In sizes 1/2", 1" and 2", full port design
- ▶ Reduce overall costs by using one three-way valve in services that traditionally require two valves
- ▶ Pressure rating of 1000 psi wog
- ▶ Four-seat design for shut-off at any port and equal seat loading
- ▶ Blow-out proof stem
- ▶ Fully machined ISO 5211 mounting pad for simple and convenient automation
- ▶ Square stem for precise coupling positioning



How To Order 3L/T-3900 Series

| Body Port, Configuration | Ball Port Configuration | Series | Ball & Stem | Port Design | Stem Packing | Seat | End Connections | Size |
|--------------------------|--------------------------|---------|-------------|-------------|--------------|---------|-----------------|------------------------------|
| 3 3-Way | L "L" Port T "T" Port | 39 3900 | 00 SS | F Full Port | T PTFE | R RPTFE | S Threaded | 050 1/2" 100 1" 200 2" |

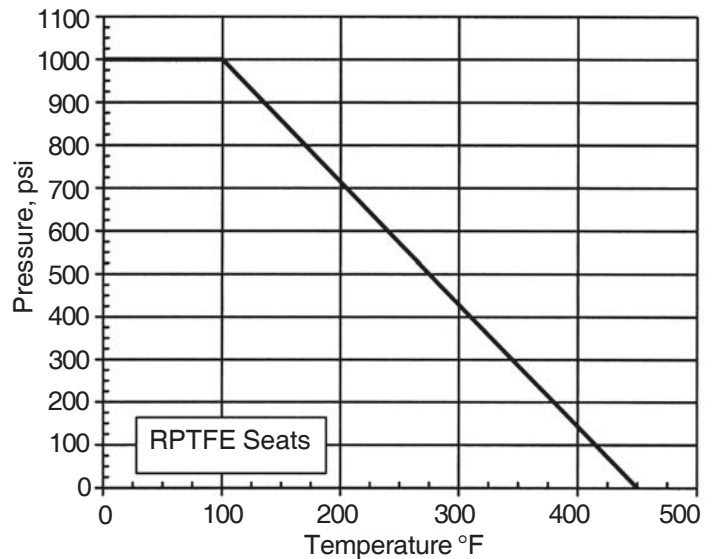
Engineering Data



| Dimensions — Inches (mm) | | | | | | | | | | | |
|--------------------------|-------------|--------------|----------|-----------|-------------|-----|---------|---------------|----------------|----------------|----------------|
| Size | A | B | C | D | E | F | G | Torque In-Lbs | T Port Cv (Kv) | L Port Cv (Kv) | Weight Lb (Kg) |
| 1/2" | 0.59 (15,0) | 2.97 (75,4) | 2.5 (62) | 4.2 (105) | 1.87 (47,5) | F03 | M5x0.8 | 120 | 16 (13,8) | 11 (9,5) | 1.9 (0,9) |
| 1" | 1.00 (25,4) | 4.37 (111,0) | 3.2 (80) | 6.3 (160) | 2.93 (74,4) | F04 | M5x1.0 | 265 | 33 (28,4) | 22 (19,0) | 5.0 (2,3) |
| 2" | 2.00 (50,8) | 6.18 (157,0) | 3.8 (96) | 7.1 (180) | 3.78 (96,0) | F07 | M8x1.25 | 580 | 160 (137,9) | 110 (94,8) | 12.0 (5,4) |

| Materials of Construction | | |
|---------------------------|-------------------|----------------------------|
| No. | Description | Material |
| 1 | Body Seal | ASTM A351 CF8M |
| 2 | End Cap | ASTM A351 CF8M |
| 3 | Stem | SS 316 |
| 4 | Gland Nut | SS 316 |
| 5 | Ball | SS 316 |
| 6 | Seat | RPTFE |
| 7 | Stem Seal | Graphite/Glass Filled PTFE |
| 8 | Stem Packing | PTFE |
| 9 | Body Seal | PTFE |
| 10 | Handle Nut | SS 304 |
| 11 | Belleville Washer | SS 304 |
| 12 | Handle Cover | Vinyl |
| 13 | Locking Device | SS 304 |
| 14 | Stop Pin | SS 304 |
| 15 | Handle | SS 304 |

Pressure-Temperature Chart



Port Arrangement

| Three-Way "T/L" Port | | |
|-----------------------|---|---|
| Position Flow Pattern | A | B |
| T3 90° | | |
| T4 90° | | |
| L2 90° | | |



Marwin Valve

A Division of Richards Industries
3170 Wasson Road
Cincinnati, OH 45209
513-533-7340 • 800-628-2583 (US only)
513-533-7343 (fax)
E-Mail: marwin@richardsind.com
URL: www.marwinvalve.com