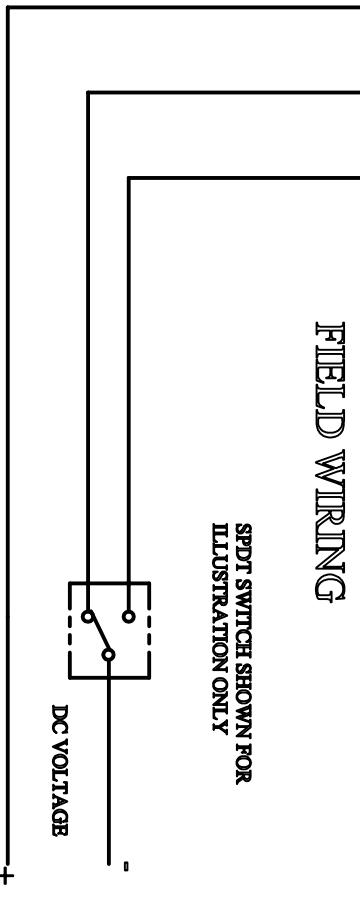
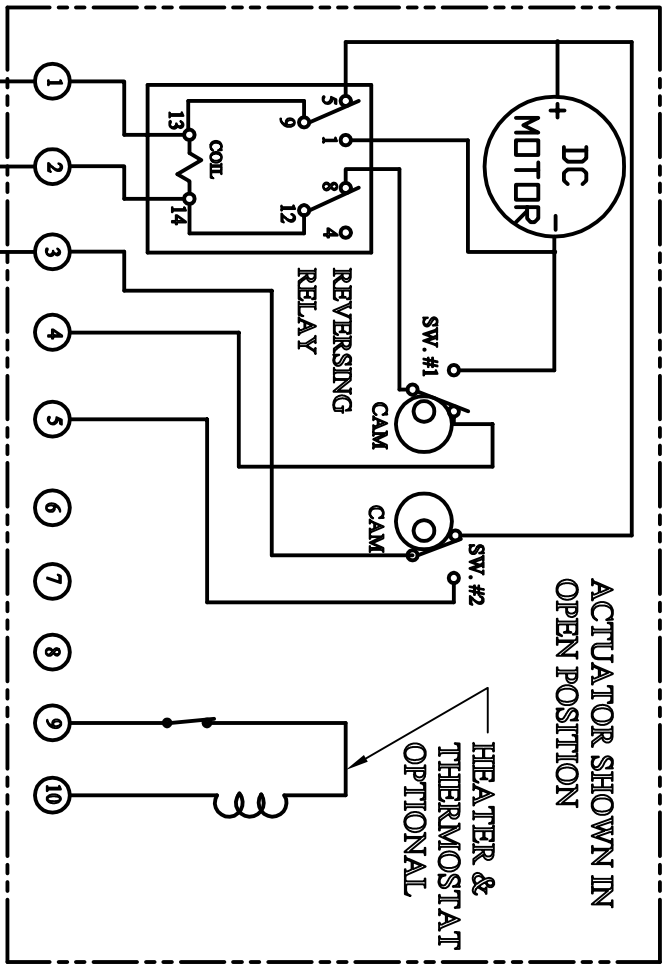


26-01282		
NO	DESCRIPTION	DATE BY



OPERATION:
 POWER TO 1 & 2 FOR CCW ROTATION
 POWER TO 3 & 4 FOR CW ROTATION
 TERMINALS 5 & 6 FOR FIELD LIGHT
 INDICATION CONNECTION

SW.#1
SW.#2

SWITCH #1 OPEN SWITCH
 SWITCH #2 CLOSE SWITCH

12/24VDC ER ACT.
WIRING DIAGRAM
 W/REVERSING RELAY OPTION

REF.	SCALE	-	DATE	10/14/05
	DR. BY	DW		
	CHK. BY			

RICHARDS INDUSTRIES
 CINCINNATI, OHIO
 U.S.A.
 VALVE GROUP

26-01282

SIZE	MARK
USED	ON