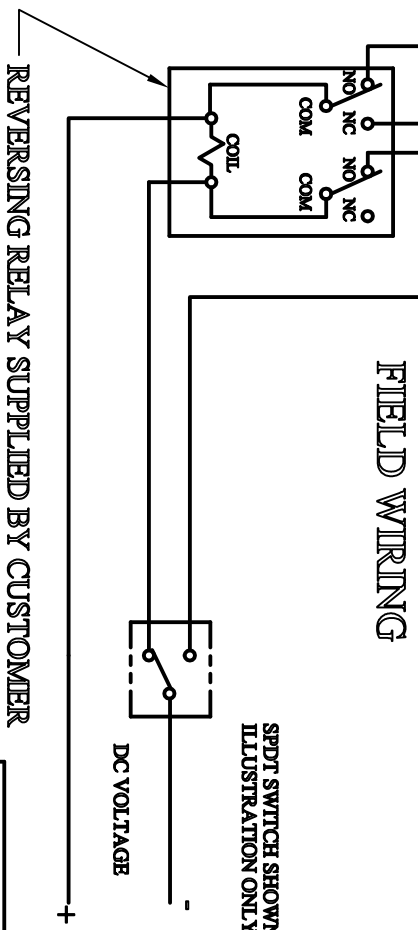
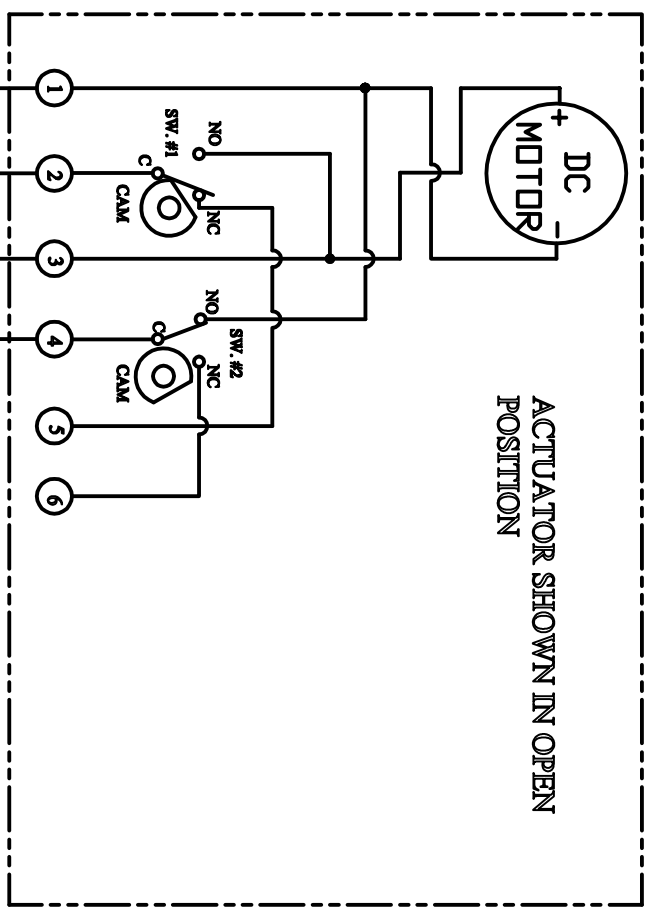


26-01281		
NO	DESCRIPTION	DATE BY



SPDT SWITCH SHOWN FOR ILLUSTRATION ONLY

SW.#1
SW.#2

SWITCH #1 OPEN SWITCH
SWITCH #2 CLOSE SWITCH

OPERATION:
POWER TO 1 & 2 FOR CCW ROTATION
POWER TO 3 & 4 FOR CW ROTATION
TERMINALS 5 & 6 FOR FIELD LIGHT
INDICATION CONNECTION

SIZE	MARK
USED	ON

12/24VDC ER ACT. 2-POS.
WIRING DIAGRAM
ER1-ER3

RICHARDS INDUSTRIES
CINCINNATI, OHIO
U.S.A.
• VALVE GROUP •

REF.	SCALE	DATE
	-	09/08/05
DR. BY	DW	
CHK. BY		

26-01281