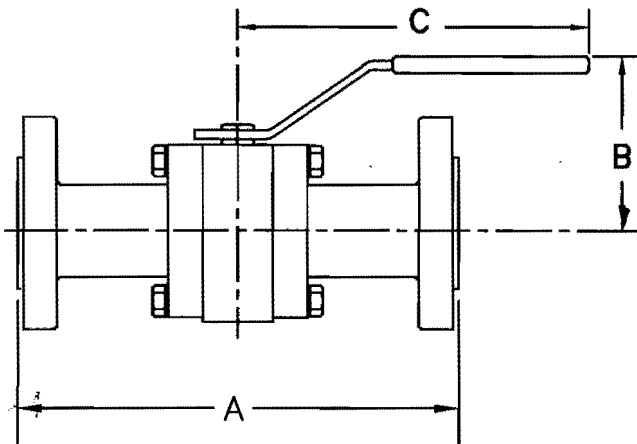


NOTE: FACE-TO-FACE
 DIMENSION "A" COMPLIES WITH
 ASME B16.10 EXCEPT CLASS 150
 IS SAME AS CLASS 300.



SIZE	DIMENSIONS IN INCHES			
	FLANGE	A	B	C
1/2" F	150#	5.50	2.76	5.98
	300#	5.50	2.76	5.98
	600#	6.50	2.76	5.98
	900#	8.50	2.76	5.98
3/4" F	150#	6.00	3.15	7.60
	300#	6.00	3.15	7.60
	600#	7.50	3.15	7.60
	900#	9.00	3.15	7.60
1" F	150#	6.50	3.62	7.60
	300#	6.50	3.62	7.60
	600#	8.50	3.62	7.60
	900#	10.00	3.62	7.60
1 1/4" F	150#	7.00	4.25	8.86
	300#	7.00	4.25	8.86
	600#	9.00	4.25	8.86
	900#	11.00	4.25	8.86
1 1/2" F	150#	7.50	4.45	8.86
	300#	7.50	4.45	8.86
	600#	9.50	4.45	8.86
	900#	12.00	4.45	8.86
2" F	150#	8.50	4.65	8.86
	300#	8.50	4.65	8.86
	600#	11.50	4.65	8.86
	900#	14.50	4.65	8.86
2 1/2" F	150#	*9.50	5.35	13.80
	300#	9.50	5.35	13.80
	600#	13.00	5.35	13.80
3" F	150#	**11.12	5.91	19.70
	300#	11.12	5.91	19.70
	600#	14.00	5.91	19.70

- Ⓐ *2.5" F-150 WAS 9.00 PRIOR TO NOV. 2009
- Ⓐ **3" F-150 WAS 8.00 PRIOR TO NOV. 2009

CUSTOMER ORDER # _____
 CUSTOMER _____
 TAG No. _____
 SIZE & MODEL # 1/2"-3" 3000/7000F FULL PORT
 BALL VALVE, 150#, 300#, 600#, 900# F.E.
 CERTIFIED _____ DATE _____

MARWIN VALVE
 a division of Richards Industries
 CINCINNATI, OHIO U.S.A.
 www.marwinvalve.com

DRAWN BY	DATE	MD03016
JLW	1/20/06	
CHECKED BY	DATE	
<i>PS</i>	10/20/09	