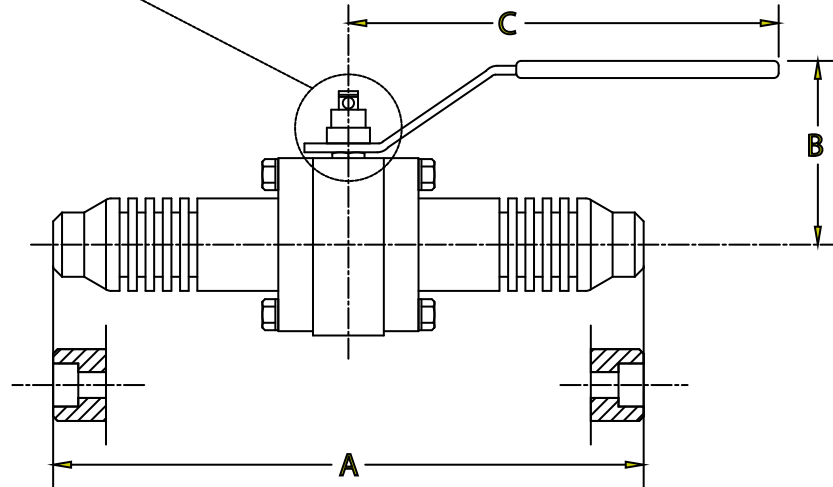


TOL. UNLESS OTHERWISE NOTED (IN.)

VA. END-TO-END LENGTH:  $\pm \frac{1}{16}''$   
 OTHER VA. DIM.:  $\leq \text{NPS } 2'', \pm \frac{1}{8}''$ ;  
 NPS  $2 \frac{1}{2}'' \sim 4'', \pm \frac{1}{4}''$ ;  $> 4'', \pm \frac{1}{2}''$   
 VA.-ACT. ASSY & PIPING DIM.:  $\pm \frac{1}{2}''$



SIZE	DIMENSIONS IN INCHES		
	A	B	C
Full			
1/4"	5.50	2.64	5.98
3/8"	5.50	2.64	5.98
1/2"	5.50	2.76	5.98
3/4"	6.00	3.15	7.60
1"	6.50	3.62	7.60
1 1/4"	7.00	4.25	8.86
1 1/2"	7.50	4.45	8.86
2"	8.50	4.65	8.86
2 1/2"	9.50	5.35	13.80
3"	11.12	5.91	19.70

CUSTOMER ORDER # \_\_\_\_\_  
 CUSTOMER \_\_\_\_\_  
 TAG No. \_\_\_\_\_  
 SIZE & MODEL # 1/4"-3" 3000 SERIES FULL  
PORT WITH EXT. BWE/FSW AND LOCKING DEVICE  
 CERTIFIED \_\_\_\_\_ DATE \_\_\_\_\_

 **MARWINVALVE**  
 a division of Richards Industries  
 CINCINNATI, OHIO U.S.A  
[www.marwinvalve.com](http://www.marwinvalve.com)

DR. BY JLW 10/27/03  
 CHK.BY \_\_\_\_\_

**MD03125**