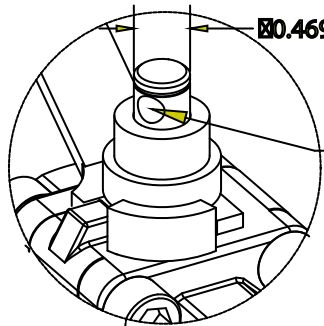
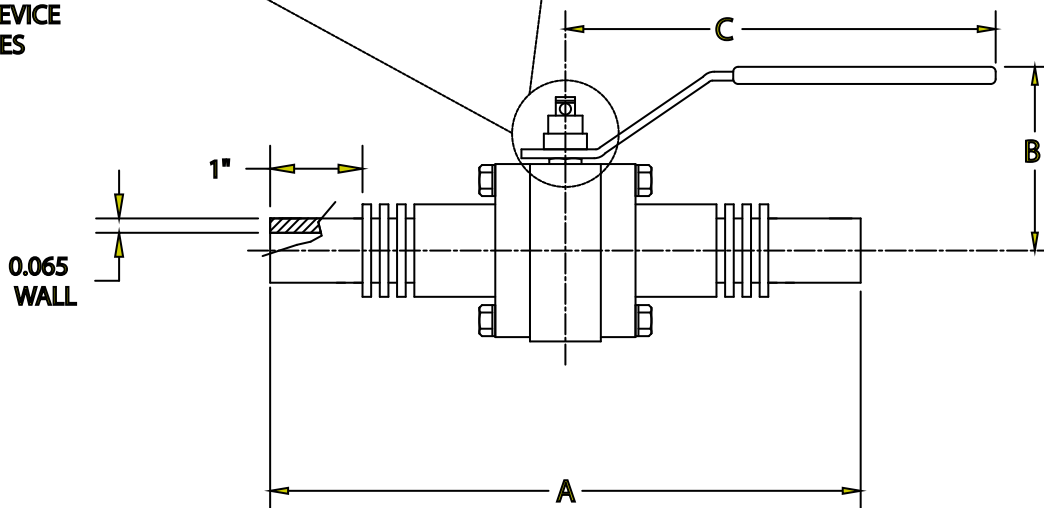


LOCKING DEVICE FOR 3" - 4" SIZES



Ø0.469
Ø0.25 THRU LOCK HOLE

LOCKING DEVICE FOR 1/2" - 2 1/2" SIZES



SIZE	DIMENSIONS IN INCHES		
Reduced	A	B	C
1/2"	5.50	2.64	5.98
3/4"	6.00	2.76	5.98
1"	6.50	3.15	7.60
1 1/4"	7.00	3.62	7.60
1 1/2"	7.50	4.25	8.86
2"	8.50	4.45	8.86
2 1/2"	9.50	4.65	8.86
3"	11.12	5.35	13.80
4"	12.00	5.91	19.70

TOL. UNLESS OTHERWISE NOTED (IN.)

VA. END-TO-END LENGTH: $\pm \frac{1}{16}"$
 OTHER VA. DIM.: $\leq \text{NPS } 2", \pm \frac{1}{8}"$
 NPS 2 $\frac{1}{2}" \sim 4", \pm \frac{1}{4}"$; $> 4", \pm \frac{1}{2}"$
 VA.-ACT. ASSY & PIPING DIM.: $\pm \frac{1}{2}"$

CUSTOMER ORDER # _____
 CUSTOMER _____
 TAG No. _____
 SIZE & MODEL # 1/2" - 4" 3000/7000 RED.
 PORT WITH EXT. TUBE ENDS AND LOCKING DEVICE
 CERTIFIED _____ DATE _____

 **MARWINVALVE**
 a division of Richards Industries
 CINCINNATI, OHIO U.S.A.
 www.marwinvalve.com

DR. BY JLW 02/27/03
 CHK. BY _____

MD03109