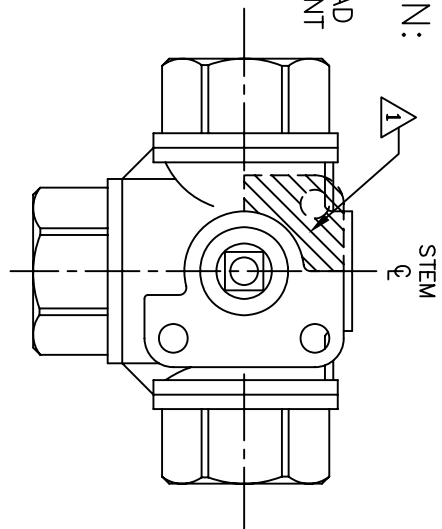
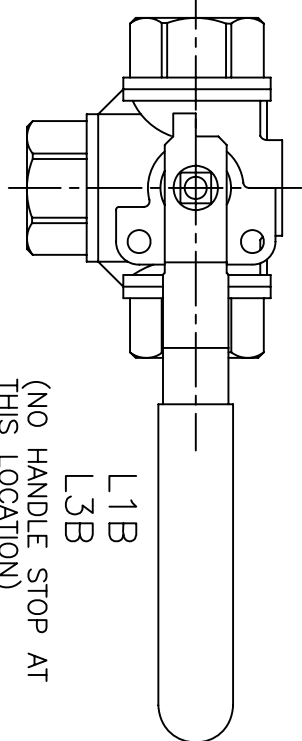
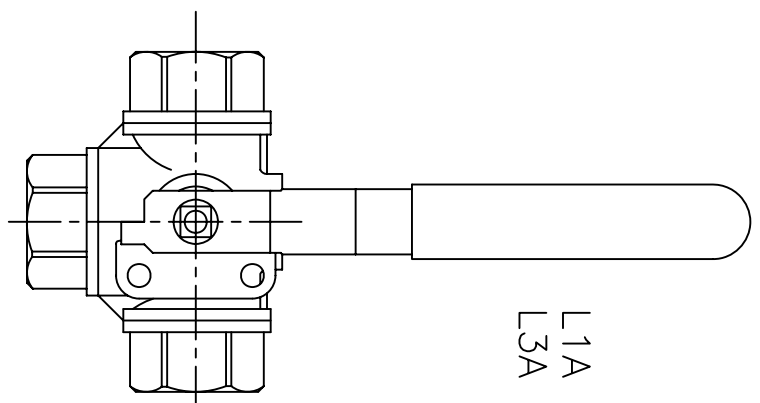


MACHINING INFORMATION:

▲ MILL OFF THE MOUNTING PAD AS SHOWN ON DIRECT MOUNT BODY FOR 180° ROTATION

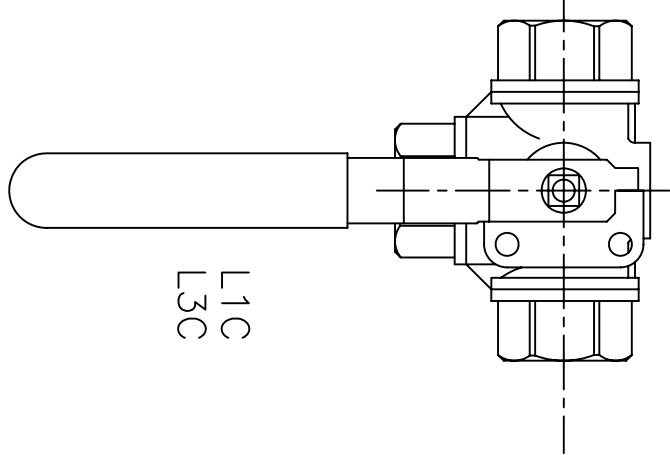


L1A
L3A



L1B
L3B

(NO HANDLE STOP AT THIS LOCATION)



L1C
L3C

CUSTOMER _____

TAG No. _____

SIZE & MODEL # HANDLE POSITION FOR 3L-3400 WITH 180° ROTATION

CERTIFIED _____ DATE _____



MARWIN

Ball Valves

RICHARDS INDUSTRIES
3170 Wasson Rd.
Cincinnati, Ohio 45209
Telephone (513) 533-5600
Fax (513) 533-7343

DR. BY	JLW	12/04/02
CHK. BY		

MD03097