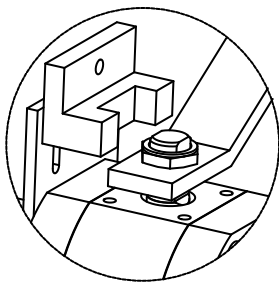
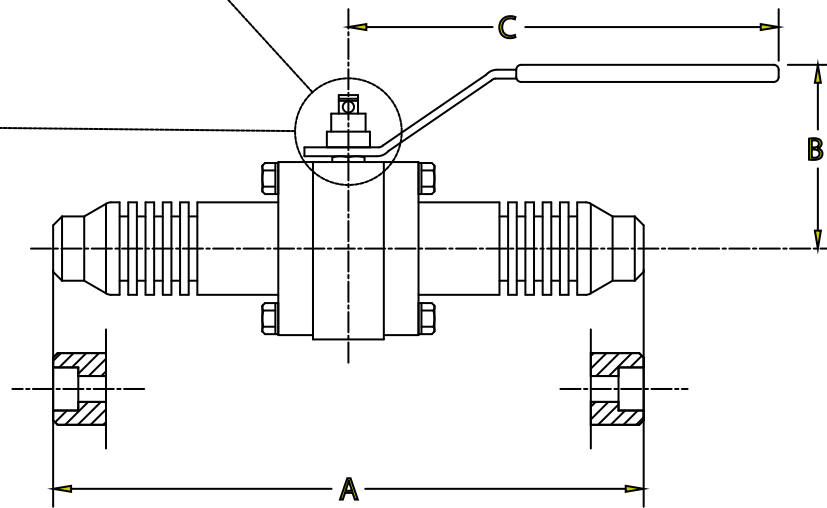


LOCKING DEVICE FOR
1/2" - 2 1/2" SIZES

TOL. UNLESS OTHERWISE NOTED (IN.)
 VA. END-TO-END LENGTH: ± 1/16"
 OTHER VA. DIM.: ≤NPS 2", ± 1/8";
 NPS 2 1/2"~4", ± 1/4"; >4", ± 1/2"
 VA.-ACT. ASSY & PIPING DIM.: ± 1/2"



LOCKING DEVICE FOR
3" - 4" SIZES



SIZE	DIMENSIONS IN INCHES		
	A	B	C
Reduced			
1/2"	5.50	2.64	5.98
3/4"	6.00	2.76	5.98
1"	6.50	3.15	7.60
1 1/4"	7.00	3.62	7.60
1 1/2"	7.50	4.25	8.86
2"	8.50	4.45	8.86
2 1/2"	9.50	4.65	8.86
3"	11.12	5.35	13.80
4"	12.00	5.91	19.70

CUSTOMER ORDER # _____
 CUSTOMER _____
 TAG No. _____
 SIZE & MODEL # 1/2"- 4" 3000/7000 RED.
 PORT WITH EXT. BWE/FSW AND LOCKING DEVICE _____
 CERTIFIED _____ DATE _____

 **MARWINVALVE**
 a division of Richards Industries
 CINCINNATI, OHIO U.S.A
 www.marwinvalve.com

DR. BY JLW 07/02/02
 CHK.BY _____

MD03083