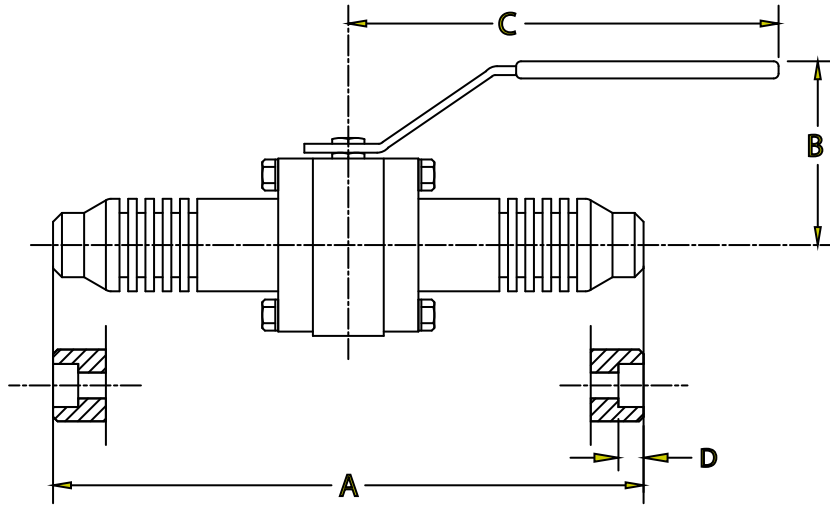


TOL. UNLESS OTHERWISE NOTED (IN.)

VA. END-TO-END LENGTH: $\pm \frac{1}{16}''$
 OTHER VA. DIM.: $\leq \text{NPS } 2'', \pm \frac{1}{8}''$;
 NPS 2 $\frac{1}{2}'' \sim 4'', \pm \frac{1}{4}''$; $> 4'', \pm \frac{1}{2}''$
 VA.-ACT. ASSY & PIPING DIM.: $\pm \frac{1}{2}''$



SIZE	DIMENSIONS IN INCHES			
Full	A	B	C	D
1/4"	5.50	2.64	5.98	0.40
3/8"	5.50	2.64	5.98	0.40
1/2"	5.50	2.76	5.98	0.40
3/4"	6.00	3.15	7.60	0.52
1"	6.50	3.62	7.60	0.52
1 1/4"	7.00	4.25	8.86	0.52
1 1/2"	7.50	4.45	8.86	0.52
2"	8.50	4.65	8.86	0.64
2 1/2"	9.50	5.35	13.80	0.64
3"	11.12	5.91	19.70	0.64

CUSTOMER ORDER # _____
 CUSTOMER _____
 TAG No. _____
 SIZE & MODEL # 1/4"-3" 3000/7000 FULL PORT
WITH EXT. BWE/FSW
 CERTIFIED _____ DATE _____

 **MARWINVALVE**
 a division of Richards Industries
 CINCINNATI, OHIO U.S.A
 www.marwinvalve.com

DR. BY	JLW	11/30/01	MD03060
CHK.BY			