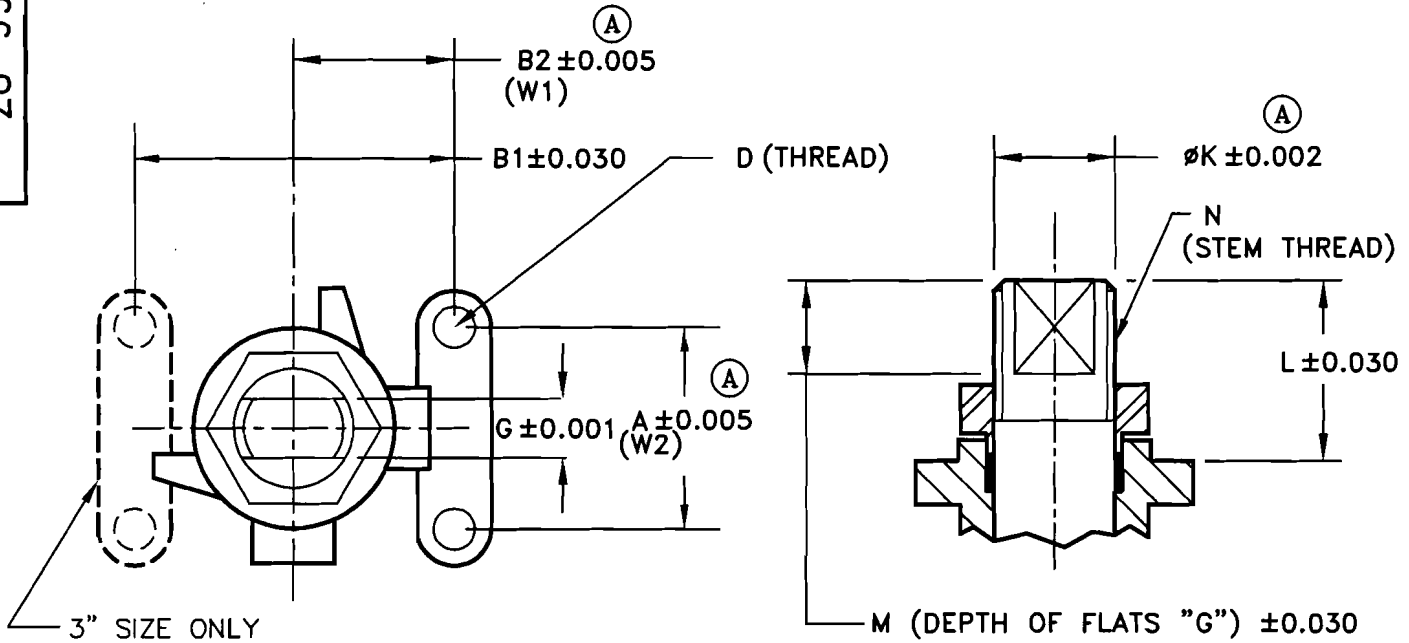


28-99800

NO	DESCRIPTION	DATE	BY
A	MEC 06045	8/01/06	DW

TOP MOUNTING DIMENSIONS FOR MODEL NO. 1/4"-3" 9923F/9933F



- A&B = MOUNTING PAD SPACING
- D = THREAD OF MOUNTING HOLES
- G = ACROSS FLAT ON STEM
- K = STEM DIAMETER
- L = DISTANCE TO TOP OF STEM FROM MOUNTING PAD
- N = STEM THREAD

VALVE SIZE	DIMENSIONS (INCHES)									NO. OF MTG HOLES
	A*	B1*	B2*	D (THREAD)**	G	øK	L	M	N (STEM THREAD)	
1/4"-3/8"	1.10		0.50	10-24	0.157	0.315	0.84	0.40	5/16-24UNF	2
1/2"	1.10		0.50	10-24	0.197	0.394	1.10	0.51	3/8-16UNC	2
3/4"	1.37		0.88	10-24	0.197	0.394	1.08	0.51	3/8-16UNC	2
1"	1.37		0.88	10-24	0.315	0.472	1.35	0.67	M12 X 1.75	2
1 1/4"	1.50		1.00	1/4-20	0.315	0.472	1.37	0.67	M12 X 1.75	2
1 1/2"	1.50		1.00	1/4-20	0.394	0.630	1.56	0.83	M16 X 2.0	2
2"	1.50		1.00	1/4-20	0.394	0.630	1.39	0.83	M16 X 2.0	2
2 1/2"	2.16		1.38	1/4-20	0.394	0.630	1.84	0.83	M16 X 2.0	2
3"	2.16		1.38	1/4-20	0.472	0.787	1.97	1.04	3/4-10UNC	4

MARWIN
Ball Valves

RICHARDS INDUSTRIES
3170 Wasson Rd.
Cincinnati, Ohio 45209
Telephone (513) 533-5600
Fax (513) 533-7343

DR. BY	DW	03/31/05	28-99800
CHK. BY			