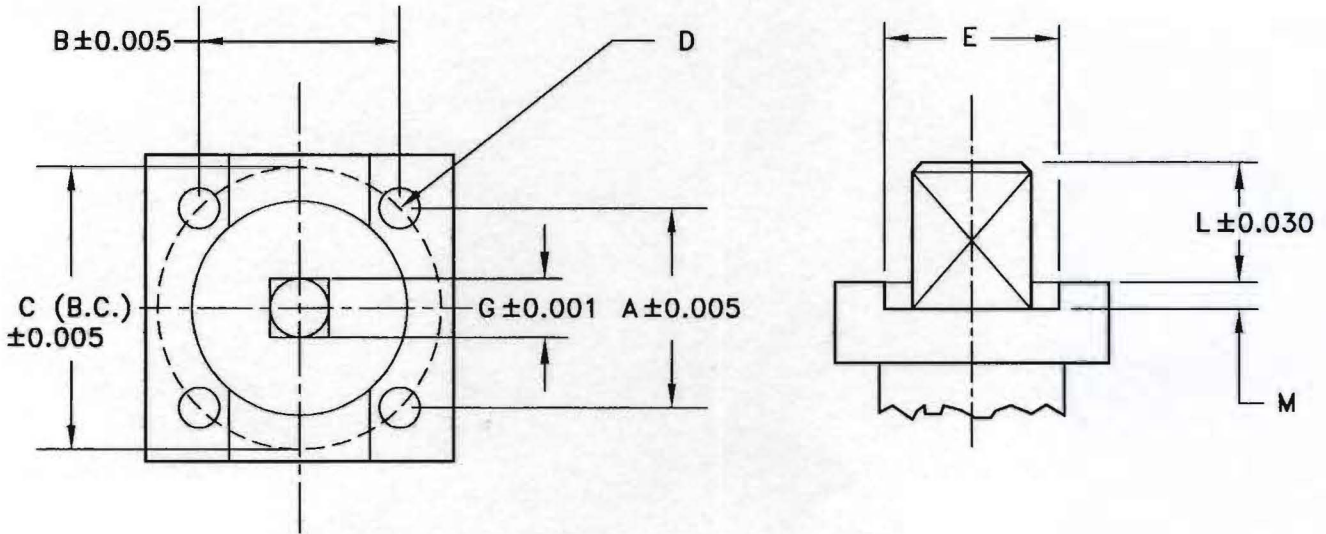


28-03806

NO	DESCRIPTION	DATE	BY
		8/01/06	

# TOP MOUNTING DIMENSIONS

## FOR MODEL NO. 1/4"-2" 3T-3101/3L-3201



- A, B & C (B.C.) = MOUNTING PAD SPACING
- D = DIAMETER OF MOUNTING HOLES
- E = RECESS DIAMETER
- G = ACROSS FLAT ON STEM
- L = DISTANCE TO TOP OF STEM FROM MOUNTING PAD
- M = RECESS DEPTH

VALVE SIZE	DIMENSIONS (INCHES)								
	A	B	C (B.C.)	D	E	MTG PATTERN	G	L	M
1/4"-1/2"	1.004	1.004	∅1.42	M7	∅0.98	F03	0.354	0.354	0.08
3/4"-1 1/4"	1.004	1.004	∅1.42	M7	∅0.98	F03	0.354	0.354	0.12
1 1/2"-2"	1.392	1.392	∅1.97	∅0.276	∅1.38	F05	0.433	0.433	0.12



**MARWIN**  
Ball-Valves

RICHARDS INDUSTRIES  
3170 Wasson Rd.  
Cincinnati, Ohio 45209  
Telephone (513) 533-5600  
Fax (513) 533-7343

DR. BY	DW	08/03/07
CHK. BY	J&H	8/3/07

28-03806